

1

2

3

4

REV.	DESCRIPTION	DRAWN/DATE	CHECK/DATE	APPROVED/DATE
X1	NEW RELEASE KSDECR	APRIL 2013/06/06		LEO 2013/06/06

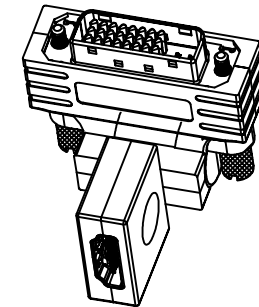
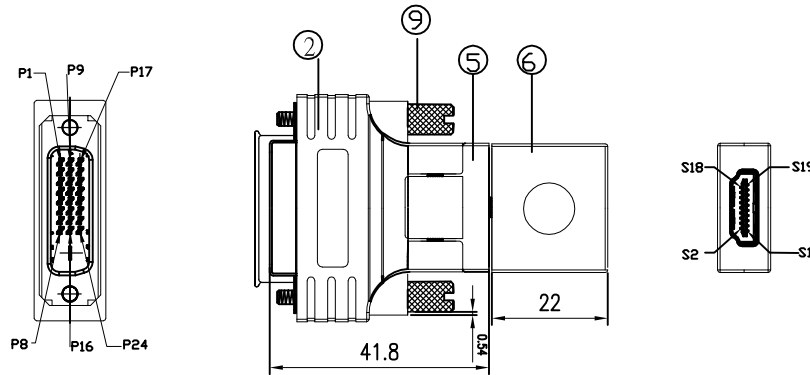
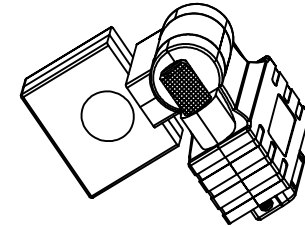
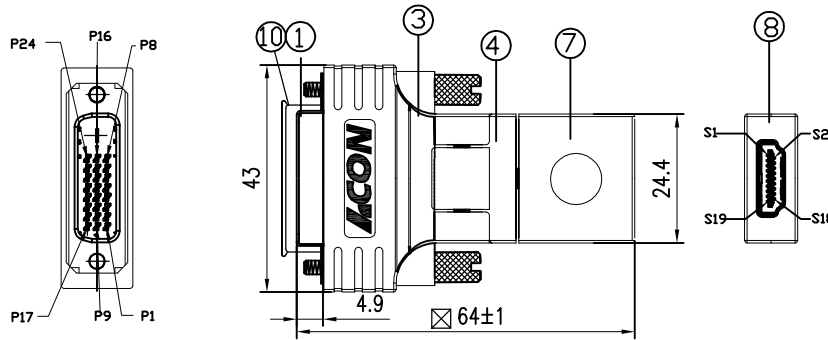
NOTE

1 FEATURE  
 THE GREEN ENVIRONMENT PROTECTION IS MEET THE RoHS AND ACON'S "ENVIRONMENT-RELATED SUBSTANCES MANAGEMENT TECHNICAL STANDARD" 160102-S-055.  
 ELECTRICAL

2-1 100% OPEN SHORT MIS-WIRE TEST  
 CONDUCTOR RESISTANCE: 2 OHM MAX  
 INSULATION RESISTANCE: DC200V 10MEGA OHM MIN  
 DIELECTRIC STRENGTH: AC200V FOR 1.0mA  
 INSTANTANEOUS OPEN/SHORT :1 SEC


3 SYMBOL DESCRIPTION:

☒ MAJOR DIMENSION x 1	① MATERIAL
■ CPK DIMENSION x 0	△ REVISION



HDMI	SIGNAL NAME	DVI-D
1	TMDS DATA2+	2
2	TMDS DATA2 SHIELD	3
3	TMDS DATA2-	1
4	TMDS DATA1+	10
5	TMDS DATA1 SHIELD	11
6	TMDS DATA1-	9
7	TMDS DATA0+	18
8	TMDS DATA0 SHIELD	19
9	TMDS DATA0-	17
10	TMDS CLOCK+	23
11	TMDS CLOCK SHIELD	22
12	TMDS CLOCK-	24
15	SCL	6
16	DDC DATA	7
17	DDC/CEC GROUND	15
18	+5V POWER	14
19	HOT PLUG DETECT	16
13	CEC	NC
14	RESERVED(IN CABLE BUT N.C. ON DEVICE)	NC
SHIELD	GROUND	SHIELD

ITEM	BOM DESCRIPTIONS	QTY
10	DVI DUST CAP	1
9	DVI TO HDMI ADAPTER SCREW P/N:YHS-05-M25-242	2
8	HDMI PLUG SOLDER TYPE 19P/F P/N:HMW21-AK5200	1
7	BLACK HDMI 19P/F COVER BOARD OF DOWN P/N:YIA-018-AB-K01	1
6	BLACK HDMI 19P/F COVER BOARD OF UP P/N:YIA-017-AB-K01	1
5	BLACK TURN COLLAPSIBLE OF DOWN P/N:YIA-012-AB-K01	1
4	BLACK TURN COLLAPSIBLE OF UP P/N:YIA-011-AB-K01	1
3	BLACK DVW COVER BOARD OF DOWN P/N:YIA-016-AB-K01	1
2	BLACK DVW COVER BOARD OF UP P/N:YIA-015-AB-K01	1
1	DVI 24+1P/M P/N:DVW50-24WG520	1

SAMPLE P/N: NON		CUSTOMER: NON	
ACON P/N: CBADV-114-0		CUSTOMER P/N: NON	
GENERAL TOLERANCE	ANGLE TOLERANCE	DRAWN DATE	 TITLE HDMI 19P/F TO DVI 24P/M SWIVEL ADAPTER, BLACK
<30 ±1	±2.0°	APRIL 2013/06/06	
>30~50±1.5		CHECKED DATE	SERIES HDMI-DVI ADAPTER DRAWING NO. A-CBADV-114-0
>50~100±2			
>100 ±3		APPROVED DATE	SIZE A4
MATERIAL SEE NOTES		LEO 2013 06/06	REV. X1
FINISH SEE NOTES			
SCALE	UNIT mm		
SHEET 1 OF 1			