

REV.	DESCRIPTION	DRAWN/DATE	CHECK/DATE	APPROVED/DATE
X1	NEW RELEASE KSPDECR	APRIL 2013/06/06		LEO 2013/06/06

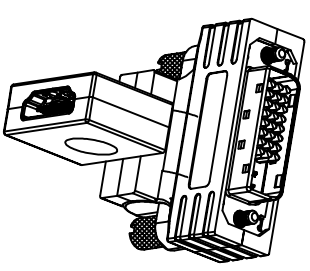
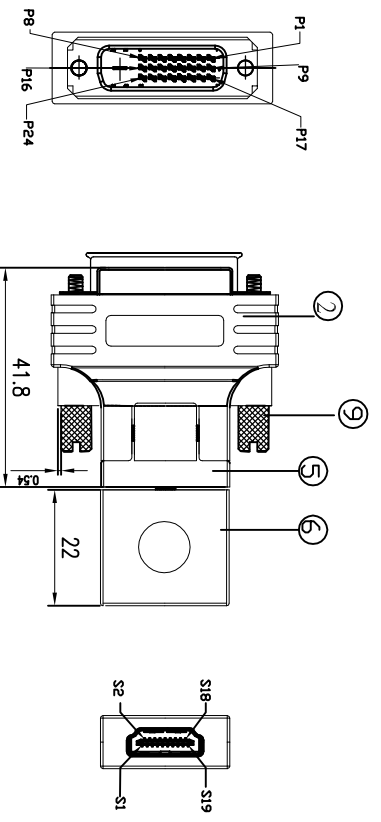
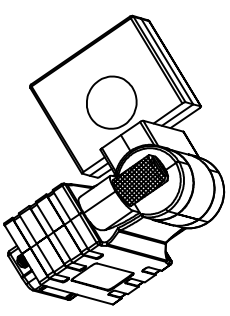
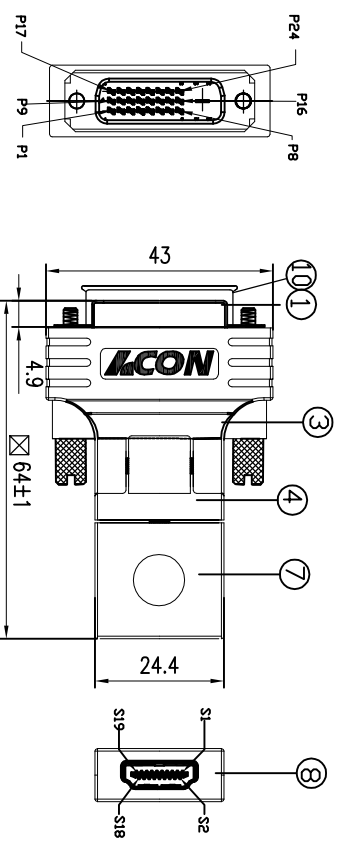
NOTE

1 FEATURE
 THE GREEN ENVIRONMENT PROTECTION IS MEET THE ROHS AND ACON'S " ENVIRONMENT-RELATED SUBSTANCES MANAGEMENT TECHNICAL STANDARD" 160102-S-055.
 ELECTRICAL

2-1 100% OPEN SHORT MIS-WIRE TEST
 CONDUCTOR RESISTANCE: 2 OHM MAX
 INSULATION RESISTANCE: DC200V 10MEGA OHM MIN
 DIELECTRIC STRENGTH: AC200V FOR 1.0mA
 INSTANTANEOUS OPEN/SHORT : 1 SEC

3 SYMBOL DESCRIPTION:

☒ MAJOR DIMENSION x 1	① MATERIAL
■ CPK DIMENSION x 0	△ REVISION



HDMI	SIGNAL NAME	DVI-D
1	TMD5 DATA+	2
2	TMD5 DATA2 SHIELD	3
3	TMD5 DATA-	1
4	TMD5 DATA1+	10
5	TMD5 DATA1 SHIELD	11
6	TMD5 DATA1-	9
7	TMD5 DATA0+	18
8	TMD5 DATA0 SHIELD	19
9	TMD5 DATA0-	17
10	TMD5 CLOCK+	23
11	TMD5 CLOCK SHIELD	22
12	TMD5 CLOCK-	24
13	SGL	6
14	DDC DATA	7
15	DDC/C/EC GROUND	15
16	+5V POWER	14
17	HOT PLUG DETECT	16
18	CEC	NC
19	RESERVED(N/CABLE BUT N/C ON DEVICE)	NC
20	GROUND	SHIELD

ITEM	DESCRIPTION	QTY
1	DVI TO HDMI ADAPTER SCREW P/N:YHS-05-M25-242	2
2	HDMI PLUG SOLDER TYPE 19P/F P/N:HMW21-AK3200	1
3	BLACK HDMI 19P/F COVER BOARD OF DOWN P/N:YA-018-AB-K01	1
4	BLACK HDMI 19P/F COVER BOARD OF UP P/N:YA-017-AB-K01	1
5	BLACK TURN COLLAPSIBLE OF DOWN P/N:YA-012-AB-K01	1
6	BLACK TURN COLLAPSIBLE OF UP P/N:YA-011-AB-K01	1
7	BLACK DWM COVER BOARD OF DOWN P/N:YA-016-AB-K01	1
8	BLACK DWM COVER BOARD OF UP P/N:YA-015-AB-K01	1
9	DVI 24+1P/M P/N:DW50-24WG520	1
10	DVI DUST CAP	1

SAMPLE P/N: NON		CUSTOMER: NON	
ACON P/N: CBADV-114-0		CUSTOMER P/N: NON	
GENERAL TOLERANCE	ANGLE TOLERANCE	DRAWN	DATE
<30 ±1		APRIL 2013/06/06	
>30~50±1.5		CHECKED	DATE
>50~100±2			
>100 ±3			
MATERIAL SEE NOTES		APPROVED DATE	
FINISH SEE NOTES		LEO 2013/06/06	
SCALE	UNIT	SERIES	SIZE
Φ 1	mm	HDMI-DVI ADAPTER	A4
SHEET		DRAWING NO.	REV.
1		A-CBADV-114-0	X1



TITLE
 HDMI 19P/F TO DVI 24P/M SWIVEL ADAPTER, BLACK