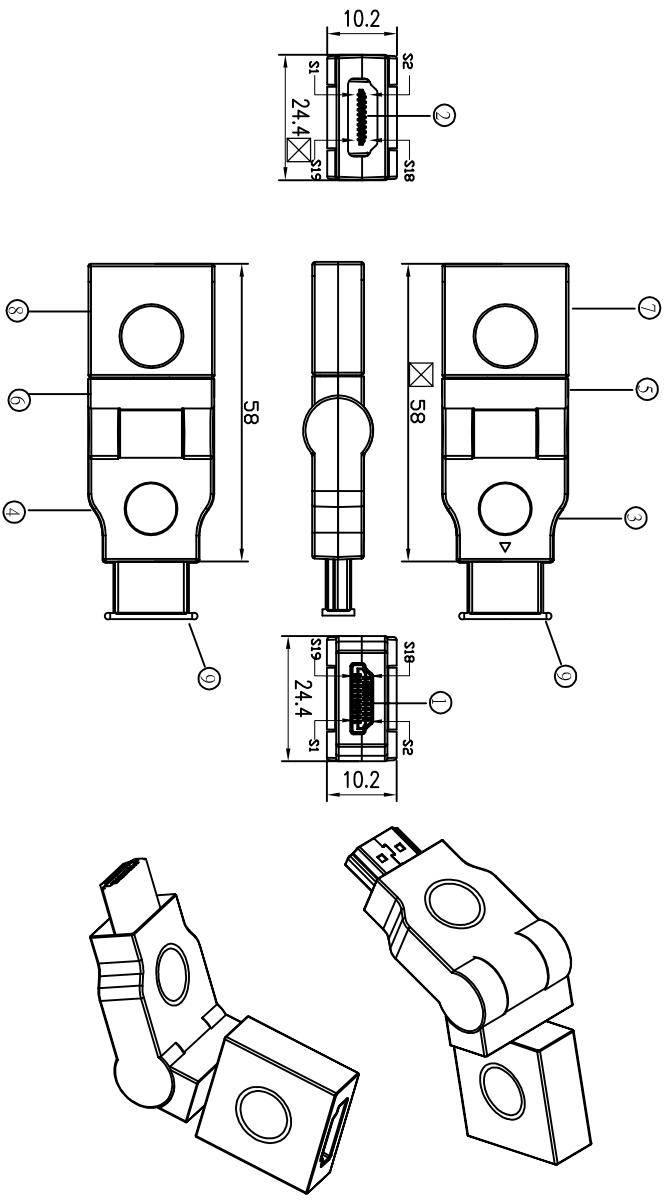


REV.	DESCRIPTION	DRAWN/DATE	CHECK/DATE	APPROVED/DATE
X1	NEW RELEASE KSDIECR	APRIL 2013/06/06		LEO 2013/06/06

NOTE

- 1 FEATURE
THE GREEN ENVIRONMENT PROTECTION IS MEET THE ROHS AND ACON'S "ENVIRONMENT-RELATED SUBSTANCES MANAGEMENT TECHNICAL STANDARD" 160102-S-055.
- 2 ELECTRICAL
- 2-1 100% OPEN SHORT MIS-WIRE TEST
CONDUCTOR RESISTANCE: 2 OHM MAX
INSULATION RESISTANCE: DC200V 10MEGA OHM MIN
DIELECTRIC STRENGTH: AC200V FOR 1.0mA
INSTANTANEOUS OPEN/SHORT :1 SEC
- 3 SYMBOL DESCRIPTION:

<input checked="" type="checkbox"/> MAJOR DIMENSION x 2	<input checked="" type="checkbox"/> MATERIAL
<input type="checkbox"/> CPK DIMENSION x 0	<input checked="" type="checkbox"/> REVISION



HDMI	SIGNAL NAME	HDMI
1	TMDS DATA2+	1
2	TMDS DATA2 SHIELD	2
3	TMDS DATA2-	3
4	TMDS DATA1+	4
5	TMDS DATA1 SHIELD	5
6	TMDS DATA1-	6
7	TMDS DATA0+	7
8	TMDS DATA0 SHIELD	8
9	TMDS DATA0-	9
10	TMDS CLOCK+	10
11	TMDS CLOCK SHIELD	11
12	TMDS CLOCK-	12
13	CEC	13
14	(IN CABLE BENTON REAR) SCL	14
15	SDA	15
16	DDC/CEC GROUND	16
17	+5V POWER	17
18	HOT PLUG DETECT	18
19	GROUND	19

SAMPLE P/N/NO	CUSTOMER: NON
ACON P/N:CBADV-049-1	CUSTOMER P/N/NO
GENERAL TOLERANCE	ANGLE TOLERANCE
<30 ±1	
>30~50±1.5	APRIL 2013/06/06
>50~100±2	
>100 ±3	
UNIT: SEE NOTES	
FINISH: SEE NOTES	
SCALE: NON	
UNIT: mm	
SHEET 1 OF 1	

ITEM	BOM DESCRIPTIONS	QTY
1	HDMI 19P/M ACON P/N: HMMW21-AK5300 GOLD PLATED SHELL	1
2	HDMI 19P/F ACON P/N: HMMW21-AK5300 GOLD PLATED SHELL	1
3	BLACK DWV COVER BOARD OF DOWN P/N:NYA-039-AB-K01	1
4	BLACK DWV COVER BOARD OF UP P/N:NYA-040-AB-K01	1
5	BLACK TURN COLLAPSIBLE OF UP P/N:NYA-011-AB-K01	1
6	BLACK TURN COLLAPSIBLE OF DOWN P/N:NYA-012-AB-K01	1
7	BLACK COVER BOARD OR UP P/N:NYA-017-AB-K01	1
8	BLACK COVER BOARD OF DOWN P/N:NYA-018-AB-K01	1
9	HDMI DUST COVER	1

DRAWN	DATE	CUSTOMER P/N/NO
APRIL 2013/06/06		
CHECKED	DATE	
LEO	2013/06/06	
APPROVED	DATE	
LEO	2013/06/06	
SERIES: HDMI CABLE ASSEMBLY		SIZE: A3
DRAWING NO. A-CBADV-049-1		REV: X1



All materials meet the ACON's spec.environment-related substances management technical standard A3P-000000