

1

2

3

4

REV.	DESCRIPTION	DRAWN/DATE	CHECK/DATE	APPROVED/DATE
X1	NEW RELEASE KSDECR	APRIL 2013/06/06		LEO 2013/06/06

NOTE

1 FEATURE

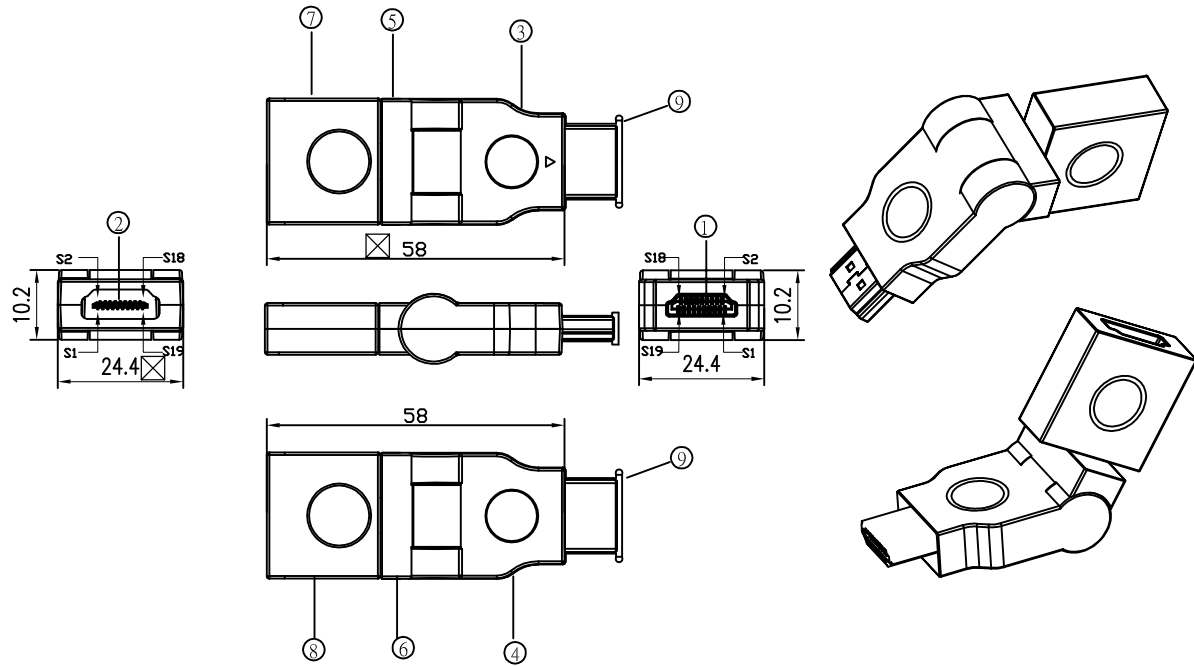
THE GREEN ENVIRONMENT PROTECTION IS MEET THE RoHS AND ACON'S "ENVIRONMENT-RELATED SUBSTANCES MANAGEMENT TECHNICAL STANDARD" 160102-S-055.

2 ELECTRICAL

2-1 100% OPEN SHORT MIS-WIRE TEST
 CONDUCTOR RESISTANCE: 2 OHM MAX
 INSULATION RESISTANCE: DC200V 10MEGA OHM MIN
 DIELECTRIC STRENGTH: AC200V FOR 1.0mA
 INSTANTANEOUS OPEN/SHORT :1 SEC

3 SYMBOL DESCRIPTION:

☒ MAJOR DIMENSION x 2	① MATERIAL
■ CPK DIMENSION x 0	⊗ REVISION



HDMI	SIGNAL NAME	HDMI
1	TMDS DATA2+	1
2	TMDS DATA2 SHIELD	2
3	TMDS DATA2-	3
4	TMDS DATA1+	4
5	TMDS DATA1 SHIELD	5
6	TMDS DATA1-	6
7	TMDS DATA0+	7
8	TMDS DATA0 SHIELD	8
9	TMDS DATA0-	9
10	TMDS CLOCK+	10
11	TMDS CLOCK SHIELD	11
12	TMDS CLOCK-	12
13	CEC	13
14	RESERVED (IN CABLE BUT N.C. IN DEVICE)	14
15	SCL	15
16	SDA	16
17	DDC/CEC GROUND	17
18	+5V POWER	18
19	HOT PLUG DETECT	19
SHELL	GROUND	SHELL

ITEM	BOM DESCRIPTIONS	QTY
9	HDMI DUST COVER	1
8	BLACK COVER BOARD OF DOWN P/N:YIA-018-AB-K01	1
7	BLACK COVER BOARD OR UP P/N:YIA-017-AB-K01	1
6	BLACK TURN COLLAPSIBLE OF DOWN P/N:YIA-012-AB-K01	1
5	BLACK TURN COLLAPSIBLE OF UP P/N:YIA-011-AB-K01	1
4	BLACK DW COVER BOARD OF DOWN P/N:YIA-040-AB-K01	1
3	BLACK DW COVER BOARD OF UP P/N:YIA-039-AB-K01	1
2	HDMI 19P/F ACON P/N: HMW21-AK5300 GOLD PLATED SHELL	1
1	HDMI 19P/M ACON P/N: HMWC5-AK5300 GOLD PLATED SHELL	1

SAMPLE P/N:NON		CUSTOMER: NON	
ACON P/N:CBADV-Q49-1		CUSTOMER P/N:NON	
GENERAL TOLERANCE <30 ±1 >30~50±1.5 >50~100±2 >100 ±3	ANGLE TOLERANCE ±2.0°	DRAWN DATE APRIL 2013/06/06	
MATERIAL: SEE NOTES		CHECKED DATE	
FINISH: SEE NOTES		APPROVED DATE LEO 2013/06/06	TITLE HDMI 19P/M TO HDMI 19P/F SWIVEL ADAPTER SERIES: HDMI CABLE ASSEMBLY DRAWING NO: A-CBADV-Q49-1
SCALE NON	UNIT mm		SIZE A3 REV. X1
SHEET 1 of 1			

All materials meet the ACON's spec.environment-related substances management technical standard A3R-環境基準