

1

2

3

4

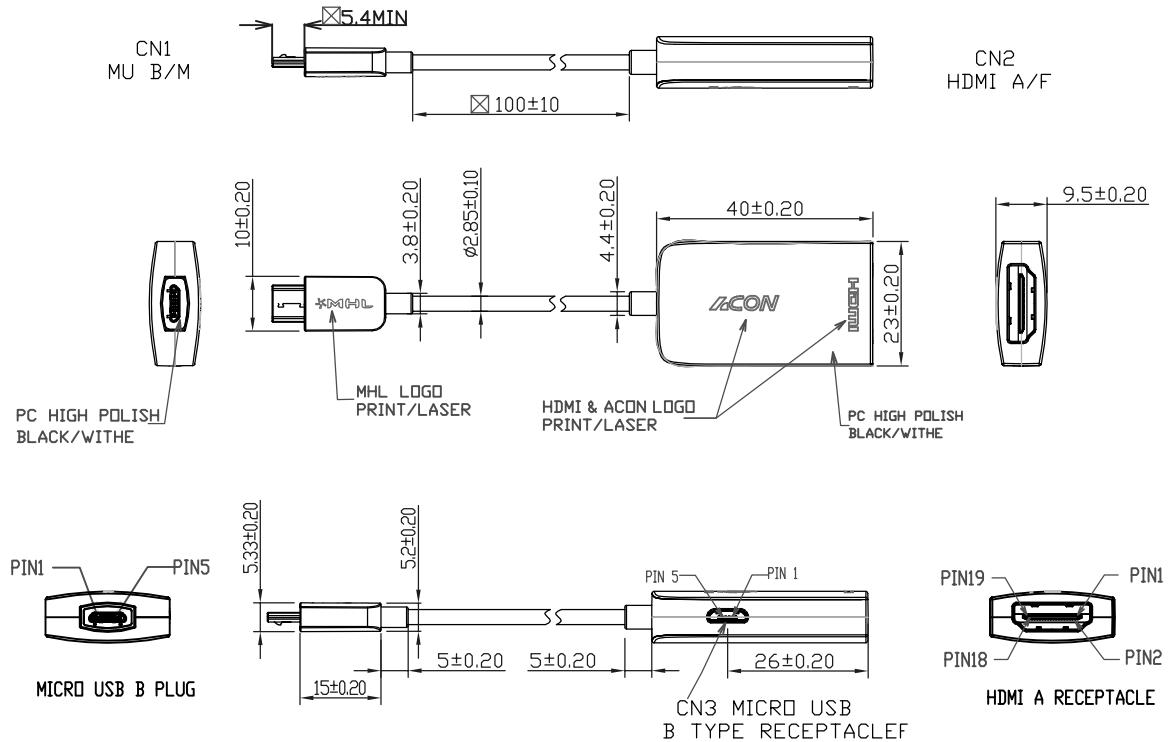
REV.	DESCRIPTION	DRAWN/DATE	CHECK/DATE	APPROVED/DATE
X1	NEW RELEASE	BOBO 2013/06/06	/	LEO 2013/06/06


NOTES:

- 1 THIS IS MICRO B PLUG TO HDMI MHL DONGLE CABLE ASS'Y
- 2 GENERAL SPECIFICATION:
  - 2.1 OPERATING TEMPERATURE RANGE:-20°C to +70°C
  - 2.2 STORAGE TEMPERATURE RANGE:-40°C to +85°C
  - 2.3 RELATIVE HUMIDITY:5%~95%
  - 2.4 AIR PRESSURE:86~106KPA
- 3. ELECTRICAL  
100% THROUGH THE TV(1080P/720P) & MOBILE PHONE TEST
- 4 GREEN ENVIRONMENT PROTECTION:  
ALL PARTS ARE THE MICRO POLLUTANT.
- 5 APPEARANCE INSPECT STANDARD:  
SPECIFICATION FOR DETAILS REFER TO THE ACON  
《MHL Dongle appearance inspection》 File NO.200302-S-0008
- 6. SYMBOL DESCRIPTION:

☒	MAJOR DIMENSION x 2	④	MATERIAL
■	CPK DIMENSION x 0	△	REVISION
99	DIMENSION NUMBER	( )	REFERENCE

PIN ASSIGNMENT			
CN1 Micro USB	CABLE COLOR	CN2 PCBA	REMARK
PIN1	RED	P	VBUS
PIN2	WHITE	DN	D-
PIN3	BLACK	DP	D+
PIN5	BRAID	G	GND
PIN4	YELLOW	C	CBUS
PIN6	DRAIN	G	GND
SHELL	BRAID	G	GND



ACON P/N: CBADV-MXX-100X		CUSTOMER P/N: NON	
CUSTOMER: NON		CUSTOMER P/N: NON	
GENERAL TOLERANCE	ANGLE TOLERANCE	DRAWN DATE	 ADVANCED-CONNECTEK INC.
1~6±0.1 6~30±0.2 30~60±0.25 60~120±0.35 120~180±0.40 180~300±0.50	X° ±3.0° .X° ±2.0° .XX° ±1.0°	BOBO 2013/06/06	
CRFQ NON	SCALE NON	UNIT mm	TITLE
SHEET 1 OF 1	1 OF 1	UNIT mm	Micro-B to HDMI L100mm MHL Cable ASS'Y
			SERIES: USB ASSEMBLY
			File: A-CBADV-MXX-100X
			SIZE A3
			REV X1