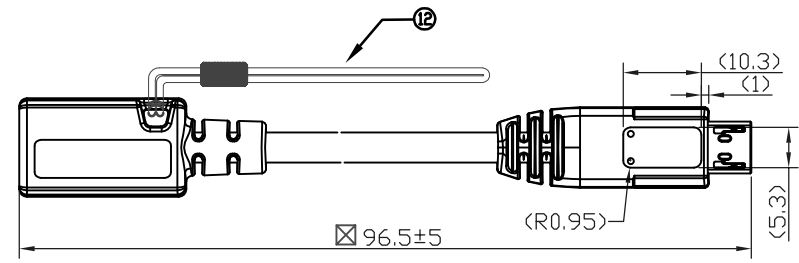
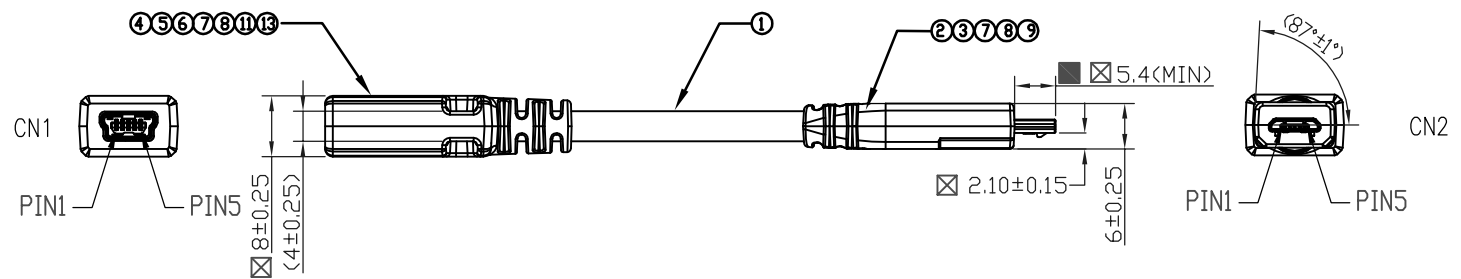
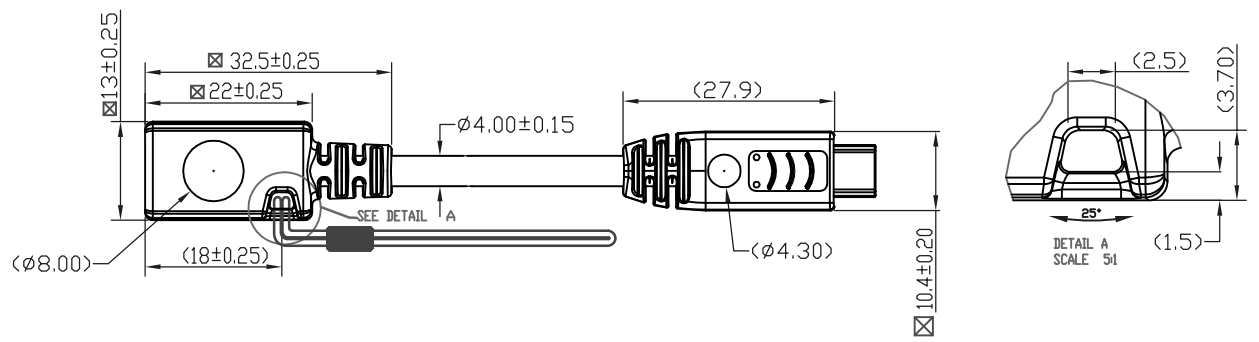


REV.	DESCRIPTION	DRAWN/DATE	CHECK/DATE	APPROVED/DATE
X1	NEW ISSUE	BOBO 2013/06/06		LEO 2013/06/06

- FEATURE
- THIS IS MICRO USB PLUG TO MINI USB RECEPTACLE ADAPTOR CABLE.
 - GENERAL SPECIFICATON
 - OPERATING TEMPETATURE RANGE:0°C+40°C
 - RATED VOLTAGE:30V
 - ELECTRICAL
 - INSULATION RESISTANCE:
 - 500VDC 100 MGA OHM MIN FOR 1.0S
 - DIELECTRIC STRENGTH: 100VAC FOR 0.5mA 1.0S
 - CONDUCTOR RESISTACE: 3 OHM MAX.
 - GREEN ENVIRONMENT PROTECTION:
 - ALL PARTS ARE THE MICRO POLLUTANT.
 - SYMBOL DESCRIPTION:

☒ MAJOR DIMENSION x 8	⑤ MATERIAL
■ CPK DIMENSION x 1	△ REVISION
⑨⑨ DIMENSION NUMBER	() REFERENCE

CN1	CONNECTION	CN2	CABLE AWG
1	RED	1	26#
2	WHITE	2	28#
3	GREEN	3	28#
4	BROWN	4	28#
5	BLACK	5	26#
SHELL	BRAID	SHELL	SHELL



13	EMU RECEPTACLE HOOD 30P/PVC BLACK	1g
12	Nylon rope ODO.8* L100mm Black	1PC
11	Heat shrinkable tube $\varnothing 1.0 \times 200M/R$ BLK HF	10mm
10	Hologram Lable 5*10mm	1PC
9	Kapton Type W7*L33m/R t=0.06mm	30mm
8	OVERMOLD 50P/PVC BLACK	10g
7	INNERMOLD LDPE	6g
6	MINI USB RECEPTACLE METAL SHELL	1PC
5	EMU Receptacle PCB# 11*7.3 *T0.8 FR-4 Double sided board	1PC
4	MINI USB RECEPTACLE	1PC
3	MU Plug PCB# 6*6*T1.0 FR-4 Double sided board	1PC
2	Micro USB Plug 5P/M(Phase 3)	1PC
1	UL 2725 26AWG*2C+28AWG*1P+28AWG*1C+ AL-Foil/Mylar + B $\varnothing 4.0mm$, Color Black-0A.	80mm
ITEM	NAME & DESCRIPTION	Q'TY

ACON P/N: NON		CUSTOMER P/N: NON	
CUSTOMER: NON		CUSTOMER P/N: NON	
GENERAL TOLERANCE	ANGLE TOLERANCE	DRAWN	DATE
<30 ±1	±2.0°	BOBO	2013/06/06
>30~50±1.5		CHECKED	DATE
>50~100±2			
>100 ±3			
CRFQ XXXXX-XX	APPROVED	DATE	
SCALE 1 : 1	UNIT mm	LEO	2013/06/06
SHEET 1 OF 1		TITLE	
		Micro USB B Plug To Mini USB B Receptacle Adaptor Cable	
		SERIES: CBAUB	SIZE A4
		file(檔名): A-CBAUB-XXX-X	REV. X1