

1

2

3

4

5

6

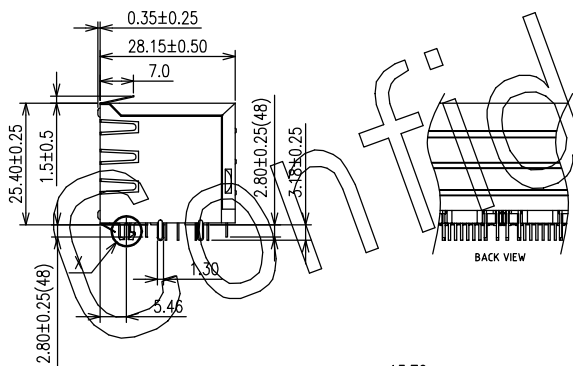
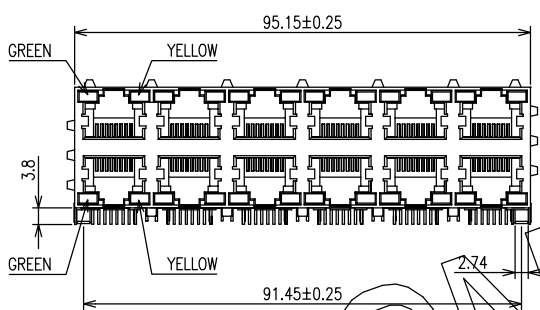
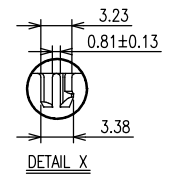
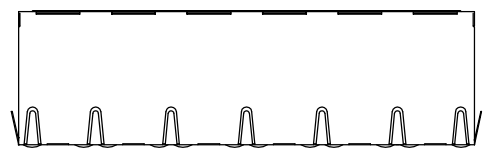
7

8

MATERIALS:
 · BOTTOM HOUSING-DSM STANYL TE250F6 (NYLON-46)
 HEAT DEFLECTION TEMP.290°
 BLACK COLOR, UL94V-0
 · TOP HOUSING-PBT POLYESTER UL94V-0
 MIXED GLASS FIBER, BLACK COLOR.
 · CONTACTS-0.35mm THICK PHOS-BRONZE PLATED
 WITH HARD GOLD AND GOLD FLASH IN
 SOLDER AREA.
 · SHIELD-0.20mm THICK COPPER ALLOY,
 PLATED WITH NICKEL.

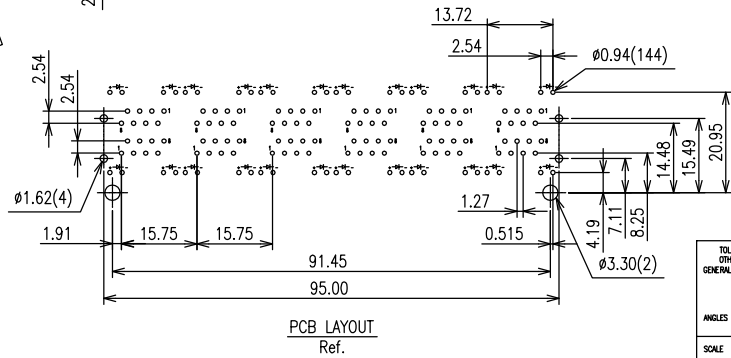
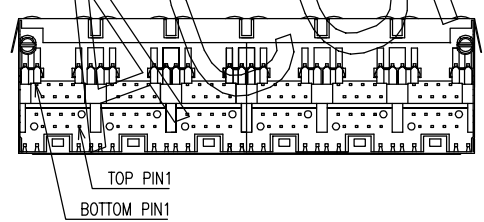
REV.	EC#	DESCRIPTION	DATE	DRAWN	CHECKED	APPROVED
A	ECR13008-04	NEW RELEASE PER TRPFQ13464	01/10/14'	ALING CHEN	WENSON	


A
B
C
D
E
F



BACK VIEW

- ORDERING INFORMATION
 541P02 - 1B 4 6 2 4 0
 ① PRODUCT: 541P02: RJ STACKED MODULAR JACK 2X6
 ② POSITIONS: 1B: 144 POSITIONS
 ③ INSULATOR COLOR: K: BLACK
 ④ CONTACT PLATING: 6: 6u" Au
 ⑤ SHELL PLATING: 2: NICKEL
 ⑥ LED: 4: LEFT GREEN & RIGHT YELLOW



TOLERANCES UNLESS OTHERWISE SPECIFIED		DRAWN	DATE	 ADVANCED - CONNECTEK INC.
GENERAL	X ±0.38 M ±0.25 XX ±0.13	ALING CHEN	01/10/14'	
ANGLES	X ±3.0° XX ±2.0° XXX ±1.0°	ALING CHEN	01/10/14'	
SCALE	1 : 1	WENSON	01/10/14'	TITLE
SHEET	1 OF 2	APPROVED	DATE	RJ STACKED MODULAR JACK 2X6
UNIT	MM	CUSTOMER DRAWING		SERIES RJA5 SERIES SIZE A3
				DWG NO. C-541P02-00-00 REV. A

This document and information contained herein are the property of Advanced Connectek Inc., copies are issued in strict confidence and shall not be reproduced or copied, or used as the basic of manufacture or sale of apparatus without permission

All materials meet the ACON's spec. environment-related substances management technical standard

1

2

3

4

5

6

7

8

A

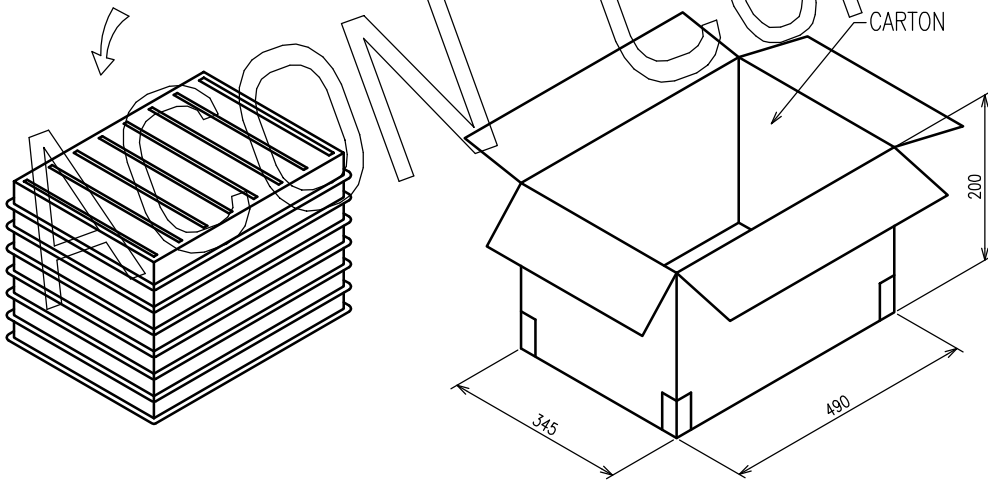
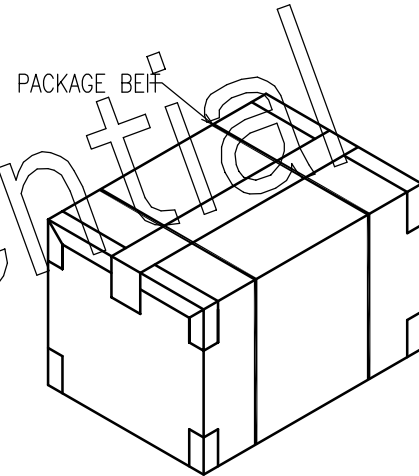
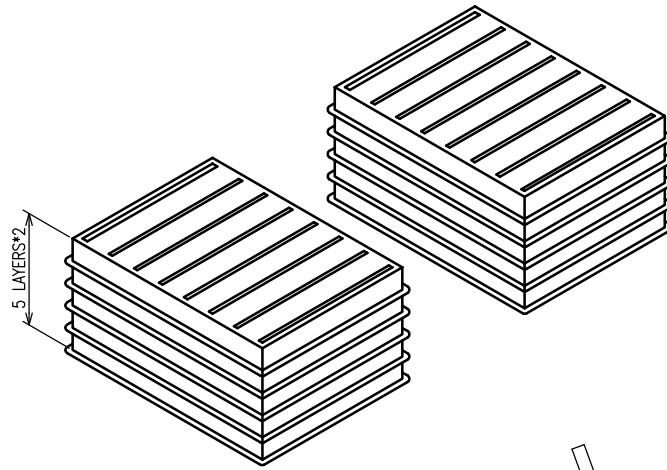
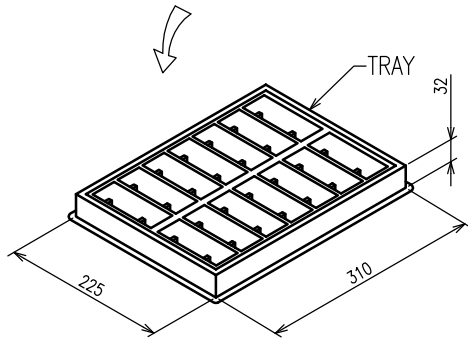
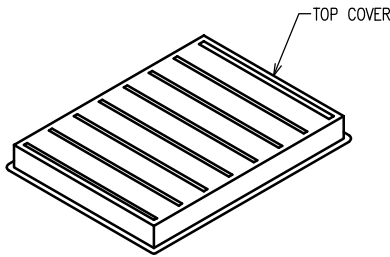
B

C

D

E

F



P/N	PCS/TRAY	PACKAGING QUANTITY / OUTER BOX	NW(Kg)	GW(Kg)
541P02-1BK6240	14	140 (10 TRAY)	10	11
TOLERANCES UNLESS OTHERWISE SPECIFIED		DRAWN DATE		
GENERAL	X ±0.38	ALING CHEN 01/10/14'		
	XX ±0.05	DESIGN DATE		
	XXX ±0.13	ALING CHEN 01/10/14'		
ANGLES	X' ±3.0'	CHECKED DATE		
	XX' ±2.0'	WENSON 01/10/14'		
	XXX' ±1.0'	APPROVED DATE		
SCALE		TITLE		RJ STACKED MODULAR JACK 2X2
SHEET 2 OF 2		SERIES		RJ45 SERIES
UNIT	MM	DWG NO.		C-541P02-00-00
		CUSTOMER DRAWING		SIZE A3 REV: A

This document and information contained herein are the property of Advanced Connectek Inc., copies are issued in strict confidence and shall not be reproduced or copied, or used as the basic of manufacture or sale of apparatus without permission

All materials meet the ACON's spec. environment-related substances management technical standard