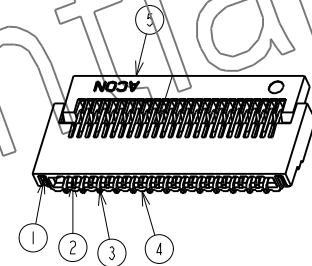
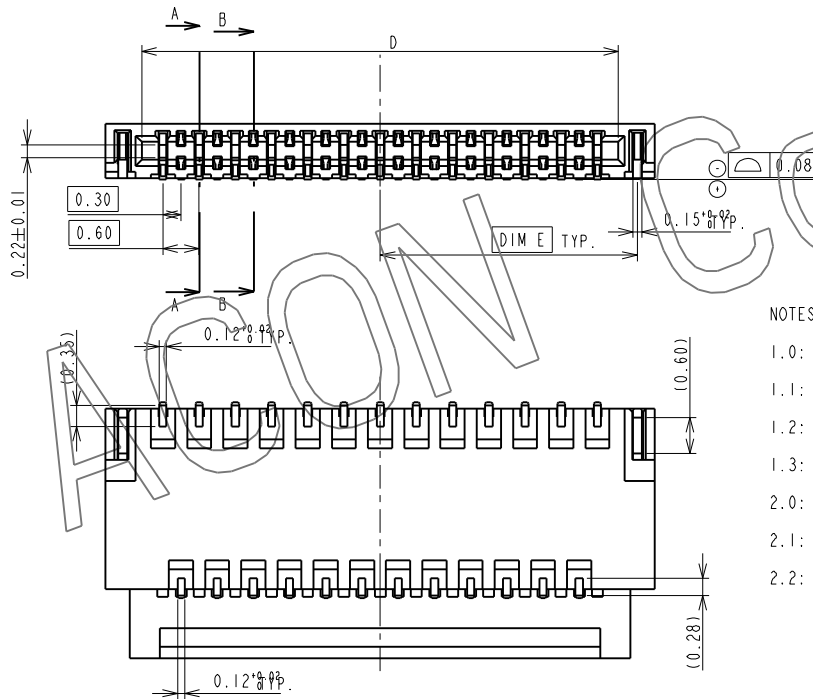
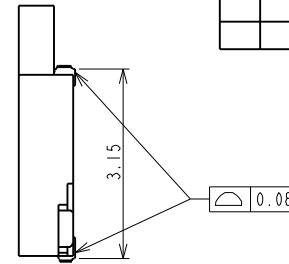
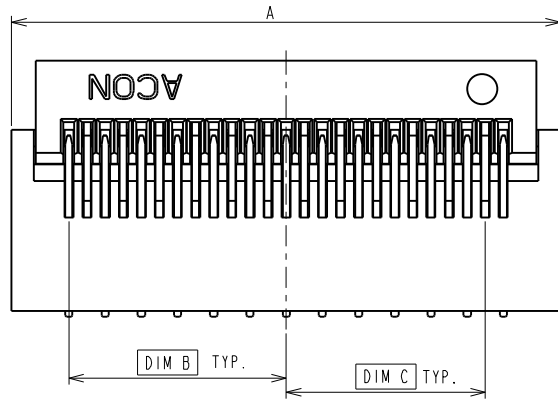


1                      2                      3                      4                      5                      6                      7                      8

REV.	EC#	DESCRIPTION	DATE	DRAWN	CHECKED	APPROVED
XI	TJECR11039	NEW RELEASE PER NPRI1042	10/27/11'	WZO	DICKSON	DICK.LEE



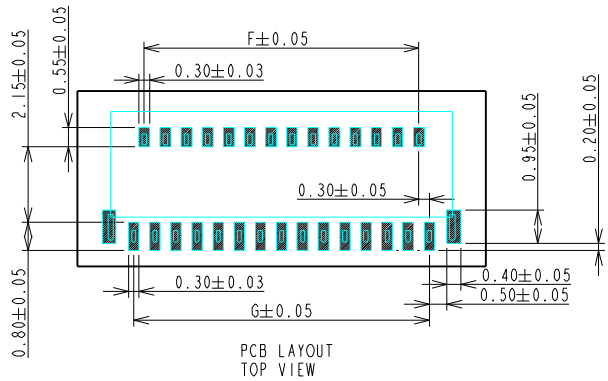
NOTES:

- 1.0: RATING:
  - 1.1: VOLTAGE: 30V AC/DC
  - 1.2: CURRENT: 0.5A
  - 1.3: OPERATION TEMPERATURE: -55°C TO +85°C
- 2.0: ELECTRICAL CHARACTERISTIC:
  - 2.1: CONTACT RESISTANCE: 100 mΩ MAX INITIAL
  - 2.2: INSULATION RESISTANCE: 50 MΩ MIN INITIAL

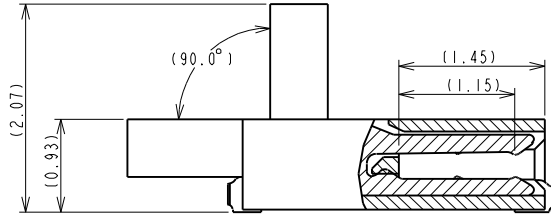
5	Filp	1	I-FPC12-2XXN00	HIGH TEMPERATURE RESIN																		
4	Holddown	2	H-FPC12-X0X00	PHOSPHOR BRONZE																		
3	Short Contact	XX	T-FPC12-20XX00	PHOSPHOR BRONZE																		
2	Long Contact	XX	T-FPC12-10XX00	PHOSPHOR BRONZE																		
1	Housing	1	I-FPC12-1XXA00	HIGH TEMPERATURE RESIN																		
ITEM	NAME	Q'TY	PART #	MATERIAL / FINISH																		
<table border="1"> <thead> <tr> <th>TOLERANCES UNLESS OTHERWISE SPECIFIED</th> <th>DRAWN</th> <th>DATE</th> </tr> </thead> <tbody> <tr> <td>GENERAL</td> <td>WZO</td> <td>10/27/11'</td> </tr> <tr> <td>.X</td> <td></td> <td>±0.38</td> </tr> <tr> <td>.XX</td> <td></td> <td>±0.25</td> </tr> <tr> <td>.XXX</td> <td></td> <td>±0.13</td> </tr> <tr> <td>.XXX</td> <td></td> <td>±0.05</td> </tr> </tbody> </table>					TOLERANCES UNLESS OTHERWISE SPECIFIED	DRAWN	DATE	GENERAL	WZO	10/27/11'	.X		±0.38	.XX		±0.25	.XXX		±0.13	.XXX		±0.05
TOLERANCES UNLESS OTHERWISE SPECIFIED	DRAWN	DATE																				
GENERAL	WZO	10/27/11'																				
.X		±0.38																				
.XX		±0.25																				
.XXX		±0.13																				
.XXX		±0.05																				
<table border="1"> <thead> <tr> <th>ANGLES</th> <th>DESIGN</th> <th>DATE</th> </tr> </thead> <tbody> <tr> <td>°</td> <td>STEVE.CHU</td> <td>10/27/11'</td> </tr> <tr> <td>°</td> <td></td> <td></td> </tr> <tr> <td>°</td> <td></td> <td></td> </tr> <tr> <td>°</td> <td></td> <td></td> </tr> </tbody> </table>					ANGLES	DESIGN	DATE	°	STEVE.CHU	10/27/11'	°			°			°					
ANGLES	DESIGN	DATE																				
°	STEVE.CHU	10/27/11'																				
°																						
°																						
°																						
<table border="1"> <thead> <tr> <th>SCALE</th> <th>CHECKED</th> <th>DATE</th> </tr> </thead> <tbody> <tr> <td>6:1</td> <td>DICKSON</td> <td>10/27/11'</td> </tr> </tbody> </table>					SCALE	CHECKED	DATE	6:1	DICKSON	10/27/11'												
SCALE	CHECKED	DATE																				
6:1	DICKSON	10/27/11'																				
<table border="1"> <thead> <tr> <th>SHEET</th> <th>APPROVED</th> <th>DATE</th> </tr> </thead> <tbody> <tr> <td>1 OF 2</td> <td>DICK.LEE</td> <td>10/27/11'</td> </tr> </tbody> </table>					SHEET	APPROVED	DATE	1 OF 2	DICK.LEE	10/27/11'												
SHEET	APPROVED	DATE																				
1 OF 2	DICK.LEE	10/27/11'																				
<table border="1"> <thead> <tr> <th>UNIT</th> <th>CUSTOMER DRAWING</th> <th>SERIES</th> <th>SIZE</th> </tr> </thead> <tbody> <tr> <td>mm</td> <td></td> <td>FPC</td> <td>A3</td> </tr> </tbody> </table>					UNIT	CUSTOMER DRAWING	SERIES	SIZE	mm		FPC	A3										
UNIT	CUSTOMER DRAWING	SERIES	SIZE																			
mm		FPC	A3																			
<table border="1"> <thead> <tr> <th>TITLE</th> <th>DWG NO.</th> <th>REV.</th> </tr> </thead> <tbody> <tr> <td>FPC P0.3 HO.9 CONN. BACK FILP TERMINAL</td> <td>C-FPC12-00-00</td> <td>XI</td> </tr> </tbody> </table>					TITLE	DWG NO.	REV.	FPC P0.3 HO.9 CONN. BACK FILP TERMINAL	C-FPC12-00-00	XI												
TITLE	DWG NO.	REV.																				
FPC P0.3 HO.9 CONN. BACK FILP TERMINAL	C-FPC12-00-00	XI																				

1 2 3 4 5 6 7 8

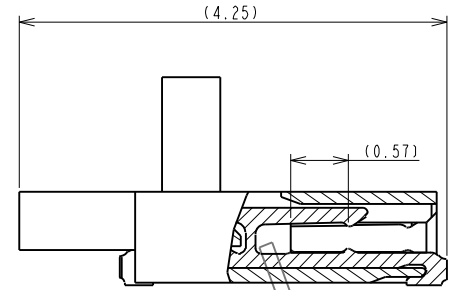
A  
B  
C  
D  
E  
F



PCB LAYOUT  
TOP VIEW



SECTION B-B  
SCALE 20:1



SECTION A-A  
SCALE 20:1

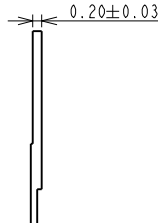
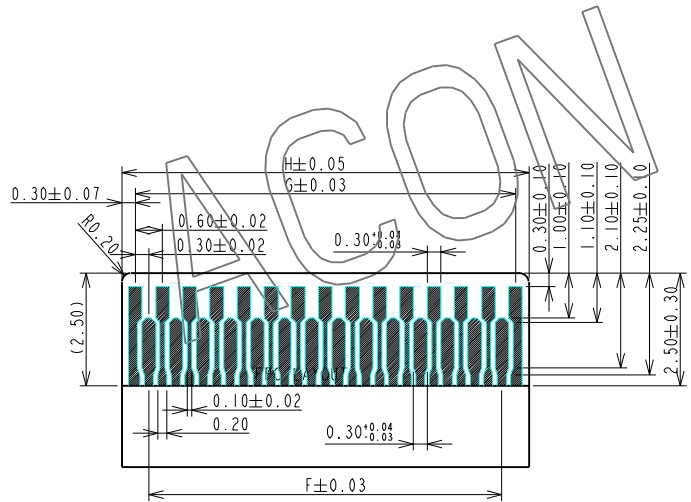
TABLE A  
PRODUCT NUMBERING CODE


FPCIX -	XX	X	X	X	X	X
	1	2	3	4	5	6

- 1 PRODUCTION CODE: FPC12; FPC CONNECTOR PITCH 0.3 HEIGHT 0.9 ZIF BACK FLIP
- 2 POSITIONS: XX: POSITIONS (SEE TABLE B)
- 3 INSULATOR COLOR: A: WHITE WITH LOGO K: BLACK WITH LOGO
- 4 CONTACT PLATING: 4: Au 3u" MIN. ALL UNDER PLATING NICKEL 50-150u"
- 5 PITCH: 3: PITCH-0.30mm
- 6 HEIGHT: 4: H=0.9mm
- 7 CONTACT TYPE: D: DOUBLE CONTACT

TABLE B

POS	A	B	C	D	E	F	G	H
19	7.30	2.70	2.40	6.10	3.36	4.80	5.40	6.00
21	7.90	3.00	2.70	6.70	3.66	5.40	6.00	6.60
23	8.50	3.30	3.00	7.30	3.96	6.00	6.60	7.20
25	9.10	3.60	3.30	7.90	4.26	6.60	7.20	7.80
27	9.70	3.90	3.60	8.50	4.56	7.20	7.80	8.40
29	10.30	4.20	3.90	9.10	4.86	7.80	8.40	9.00
31	10.90	4.50	4.20	9.70	5.16	8.40	9.00	9.60
33	11.50	4.80	4.50	10.30	5.46	9.00	9.60	10.20
35	12.10	5.10	4.80	10.90	5.76	9.60	10.20	10.80
37	12.70	5.40	5.10	11.50	6.06	10.20	10.80	11.40
39	13.30	5.70	5.40	12.10	6.36	10.80	11.40	12.00
41	13.90	6.00	5.70	12.70	6.66	11.40	12.00	12.60
43	14.50	6.30	6.00	13.30	6.96	12.00	12.60	13.20
45	15.10	6.60	6.30	13.90	7.26	12.60	13.20	13.80
47	15.70	6.90	6.60	14.50	7.56	13.20	13.80	14.40
49	16.30	7.20	6.90	15.10	7.86	13.80	14.40	15.00
51	16.90	7.50	7.20	15.70	8.16	14.40	15.00	15.60



TOLERANCES UNLESS OTHERWISE SPECIFIED GENERAL X ±0.38 .X ±0.25 .XX ±0.13 .XXX ±0.05	DRAWN	DATE	 ADVANCED CONNECTEK INC.
	WZO	10/27/11'	
ANGLES X° ±3.0° X° ±2.0° X° ±1.5°	DESIGN	DATE	TITLE FPC P0.3 H0.9 CONN. BACK FILP TERMINAL
	STEVE.CHU	10/27/11'	
SCALE 7:1	DICKSON	10/27/11'	SERIES FPC SIZE A3
SHEET 2 OF 2	APPROVED	DATE	
UNIT mm	DICK.LEE	10/27/11'	DWG NO. C-FPC12-00-00
CUSTOMER DRAWING			REV. XI