

1

2

3

4

5

6

7

8

REV.	EC#	DESCRIPTION	DATE	DRAWN	CHECKED	APPROVED
E	ECR-04049	NEW RELEASE P/N Δ x 1	04/20/04'	JUDY	~	JEFF

A

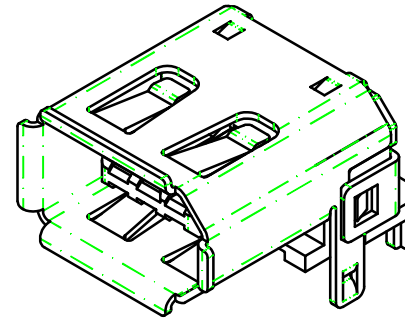
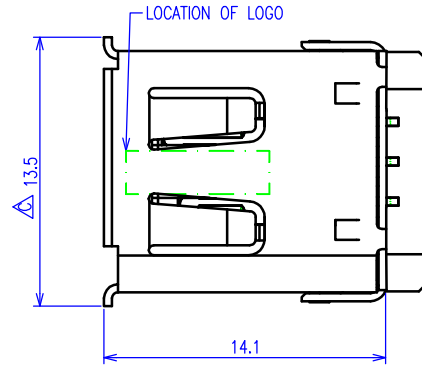
B

C

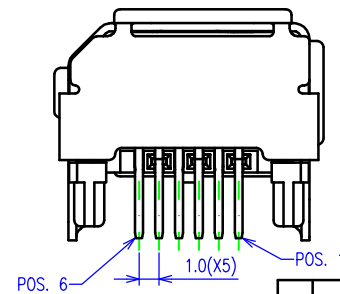
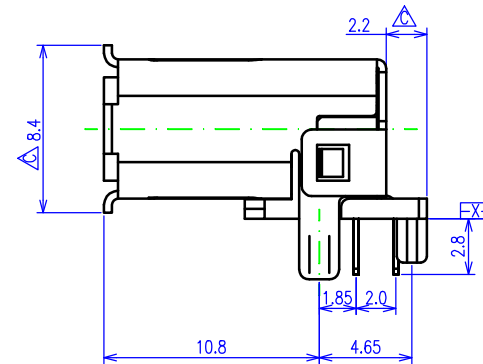
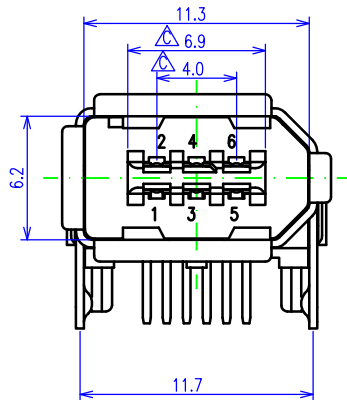
D

E


F



SCALE 4 : 1



ITEM	NAME	Q'TY	PART#	MATERIAL / FINISH
4	CONTACTS(TYPE2)	3	T-FWR20-20*00	JIS C2680R-H / SELECTIVE GOLD PLATED REFER TO "TABLE A"
3	CONTACTS(TYPE1)	3	T-FWR20-10*00	JIS C2680R-H / SELECTIVE GOLD PLATED REFER TO "TABLE A"
2	HOUSING	1	I-FWR20-16*00	PBT, THERMOPLASTIC, UL 94V-0
1	SHELL	1	S-FWR20-16**0	JIS C5191R-H/REFER

TOLERANCES UNLESS OTHERWISE SPECIFIED		DRAWN	DATE	 ACON ADVANCED - CONNECTEK INC.
GENERAL	X ±0.38	PETER	12/13/00'	
	.X ±0.25	DESIGN	DATE	
	.XX ±0.13	MAX	09/27/00'	
	.XXX ±0.05	CHECKED	DATE	
ANGLES	X' ±3.0'	~		
	.X ±3.0'	APPROVED	DATE	
	.XX ±1.0'	MAX	04/02/01'	
SCALE	4 : 1	SHEET	1 OF 2	TITLE
UNIT	MM	SERIES	FWR20 SERIES	SIZE
		DWG NO.	C-FWR20-00-00	REV.
				E

This document and information contained herein are the property of Advanced Connectek Inc., copies are issued in strict confidence and shall not be reproduced or copied, or used as the basis of manufacture or sale of apparatus without permission

