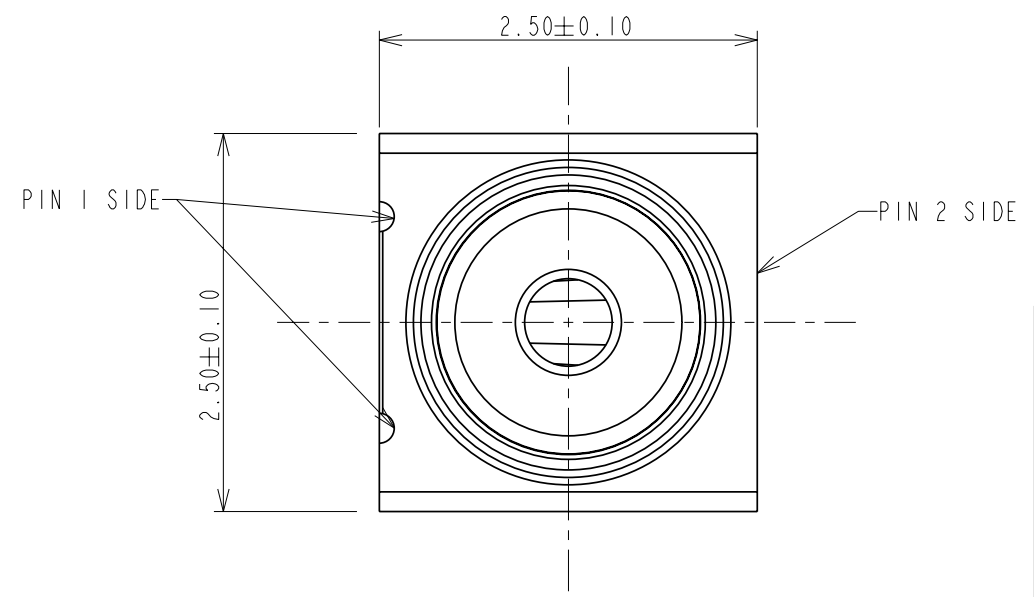
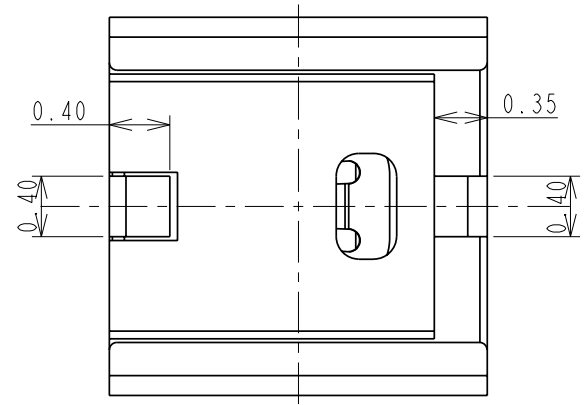
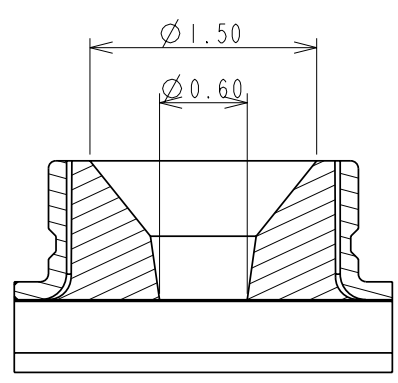
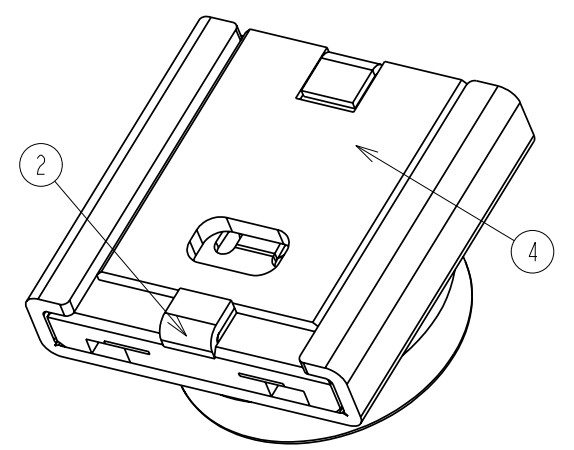
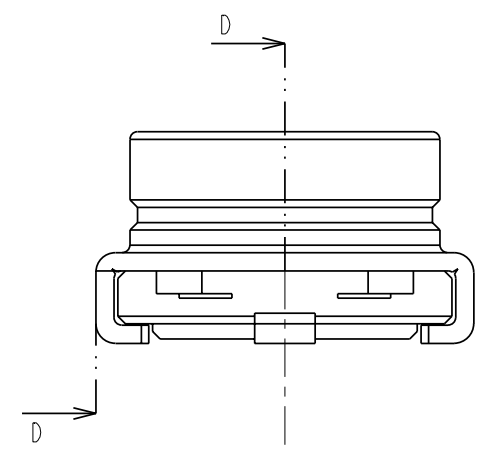
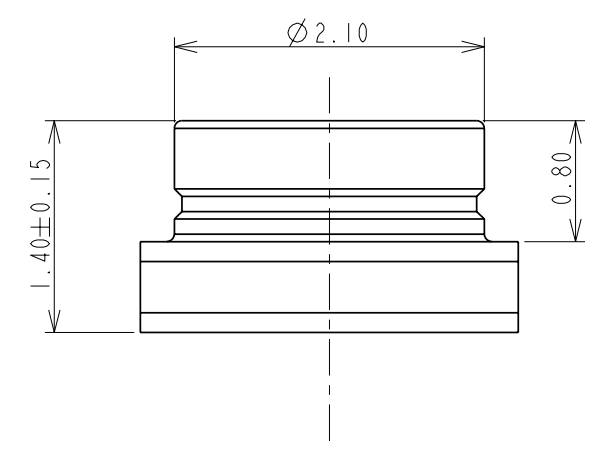
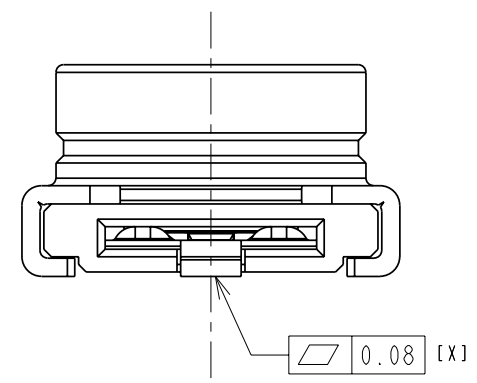
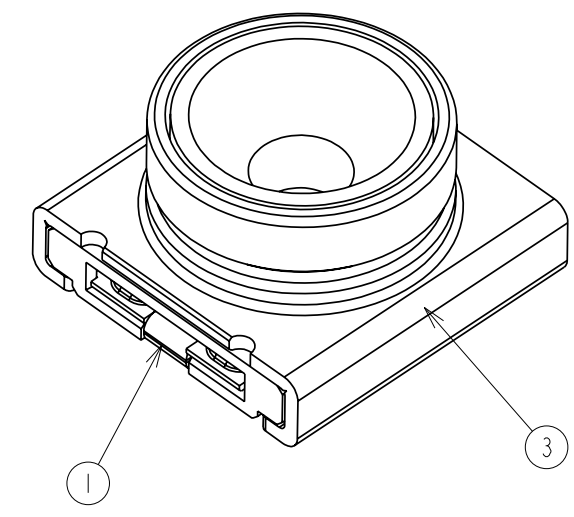


1 2 3 4 5 6 7 8


REV.	EC#	DESCRIPTION	DATE	DRAWN	CHECKED	APPROVED
0	RFQ08260	PRELIMINARY	07/22/08'	GJG		



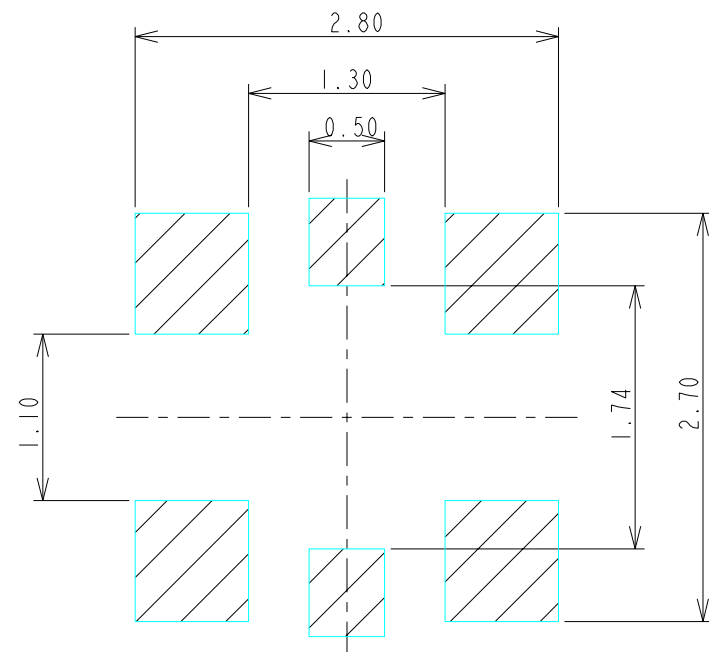
R&D Dept./Conn.Div.
Preliminary
 - Confidential; ACON's Intellectual Property;
 - No further disclosure to other parties
 - Subject to change without notice



ITEM	NAME	Q'TY	PART #	MATERIAL / FINISH
4	HOUSING	1	I-RFS43-12X00	LCP BLACK UL 94V-0 RATED
3	SHELL	1	S-RFS43-12X00	COPPER ALLOY, Ag OR Au PLATED
2	PIN 2 (FIXED)	1	T-RFS43-20X00	COPPER ALLOY, Au PLATED
1	PIN 1 (SPRING)	1	T-RFS43-10X00	Be-Cu, Au PLATED

TOLERANCES UNLESS OTHERWISE SPECIFIED	DRAWN	DATE	 ACON ADVANCED—CONNECTEK INC.
GENERAL X. ±0.38	GJG	07/15/08'	
.X ±0.25	DESIGN	DATE	TITLE MINI RF RECEPTACLE CONN.
.XX ±0.13	GJG	07/15/08'	
.XXX ±0.05	CHECKED	DATE	SERIES MINI RF SIZE A3 DWG NO. C-RFS43-00-00 REV. 0
ANGLES X° ±3.0°	APPROVED	DATE	
.X° ±2.0°			
.XX° ±1.0°			
SCALE 20:1	CUSTOMER DRAWING		
SHEET 1 OF 2			
UNIT mm			

1 2 3 4 5 6 7 8



PCB BOARD LAYOUT VIEW DRAWING

R&D Dept./Conn.Div.

Preliminary

- Confidential; ACON's Intellectual Property;
No further disclosure to other parties
- Subject to change without notice

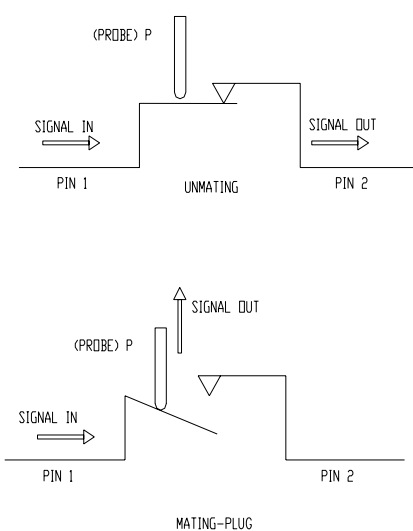
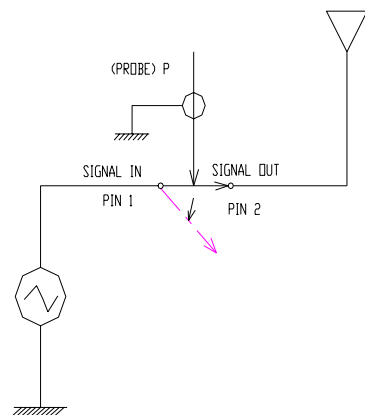
NOTES:


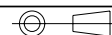
1. PRODUCT SPECIFICATION:SEE CSP-RFS43-00-00
2. PACKAGE SPECIFICATION:SEE CP-RFS43-00-00
3. ELECTRICAL REQUIREMENT.
(WHEN MATED WIHT MURATA MMI26036 FACTORY PROBE,
OR MXHS83QE3000 ,MXHS83QH3000 DEVELOPMENT ENGINEERING PROBE)
- 3.1.RATED VOLTAGE MAXIMUM: AC 250V AT SEA LEVEL
DC 250V AT SEA LEVEL
- 3.2.RATED POWER MINNMUM: 4WATTS MAX (AT 2GHZ)
- 3.3.INSULATION RESISTANCE (I.R.): 500M OHMS MINIMUM AT 250V DC FOER 1 MINUTE.
- 3.4.DIELECTRIC WIHTSTANDING VOLTAGE(DWV):300V AC MINIMUM FOR 1 MINUTE.
- 3.5.CONTACT RESISTANCE:
3.5.1.CENTER CONDUCTOR:FRICITION INTERFACE CONTACT RESISTANCE WILL BE 75m OHMS
MAXIMUM INITIALLY.130m OHMS MAXIMUM AFTER 100 CYCLES (WHEN MATED WITH
MMI26036)TESTED AFTER ENVIROMENTAL TEST SEQUENCES ARE PERFORMED.
- 3.5.2.OUTER SHELL:FRICITION INTERFACE CONTACT RESISTANCE WILL BE 50m OHMS MAXIMUM
INITIALLY.75m OHMS MAXIMUM AFTER 100 CYCLES (WHEN MATED WITH MMI26036) TESTED
AFTER ENVIROMENTAL TEST SEQUENCES ARE PERFORMED.
- 3.6.IMPEDANCE:50 OHMS NOMINAL.
- 3.7.INSERTION/RETURN LOSS/ISOLATION.
3.7.1. 0-3 GHz:
VOLTAGE STANDING WAVE RATIO=1.2 MAXIMUM
INSERTION LOSS=0.1 DB MAXIMUM(FOR ENTIRE INSERTION LIFE)
ISOLATION=20 DB MINIMUM
- 3.7.2. 3-6 GHz:
VOLTAGE STANDING WAVE RATIO= 1.3 MAXIMUM
INSERTION LOSS=0.2 DB MAXIMUM(FOR ENTIRE INSERTION LIFE)
ISOLATION=15 DB MINIMUM
- 4.0.MECHANICAL REQUIREMENT (WHEN MATED WIHT MURATA MMI26036)
- 4.1.INSERTION (MATING) FORCE: 6N MAXIMUM (REFERENCE ONLY)
- 4.2.WIHTDRAWAL(UNMATING)FORCE: 5N MINIMUM (REFERENCE ONLY)
- 4.3.DURABILITY (MINIMUM):MATED 100 TIMES,AND MEETING THE MINIMUM ELECTRICAL AND
MECHANICAL CHARACTERICS AS STATED IN THIS SPECIFICATION.
- 4.4.COPLANARITY (MAXIMUM) : 0.08MM ALL CONTACT PAD SURFACES.
- 4.5.MECHANICAL CONFIGURATION AND DIMENSIONS.

PRODUCT NUMBER ORDER

RFS43- 2 X X X 0 0
① ② ③ ④ ⑤

- ① PRODUCTION CODE:
RFS43: MINI RF CONN RECEPTACLE TYPE
- ② POSITIONS:
2: 2 POSITIONS
- ③ INSULATOR COLOR:
K: BLACK
- ④ CONTACT PLATING:
5 : CONTACT AREA:PLATING GOLD 5u" Min.
SOLDER AREA GLOD 2u" Min.
ALL UNDERPLATED Ni 50-100u"
- ⑤ SHELL PLATING:
2 : PLATING Au 5u" Min. OVER Ni 80u" Min.
5 : PLATING Ag 40u"Min. OVER Ni 40u" Min.



TOLERANCES UNLESS OTHERWISE SPECIFIED GENERAL X: ±0.38 .X ±0.25 .XX ±0.13 .XXX ±0.05	DRAWN	DATE	 ADVANCED—CONNECTEK INC.
	GJG	07/15/08'	
ANGLES X°: ±3.0° .X°: ±2.0° .XX°: ±1.0°	DESIGN	DATE	TITLE
	GJG	07/15/08'	MINI RF RECEPTACLE CONN.
SCALE 20:1	CHECKED	DATE	SERIES MINI RF
SHEET 2 OF 2	APPROVED	DATE	SIZE A3
UNIT mm	CUSTOMER DRAWING		DWG NO. C-RFS43-00-00
			REV. 0