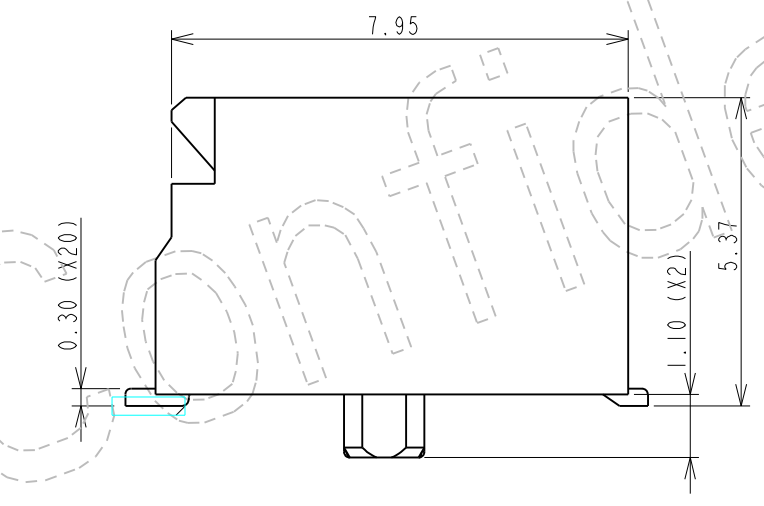
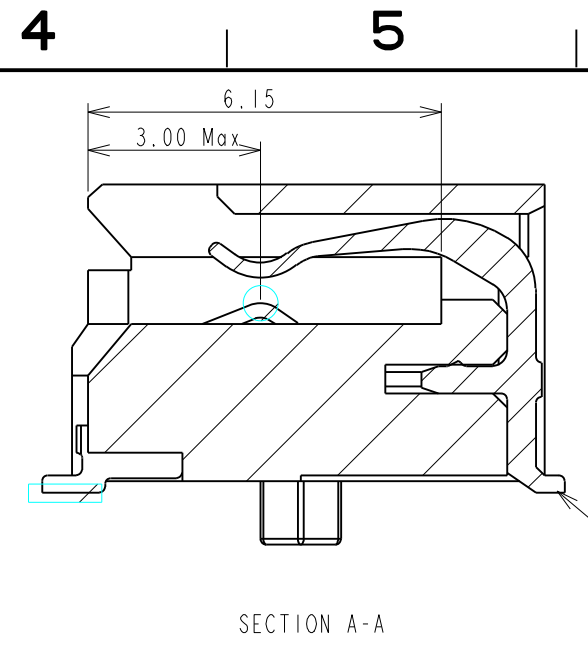
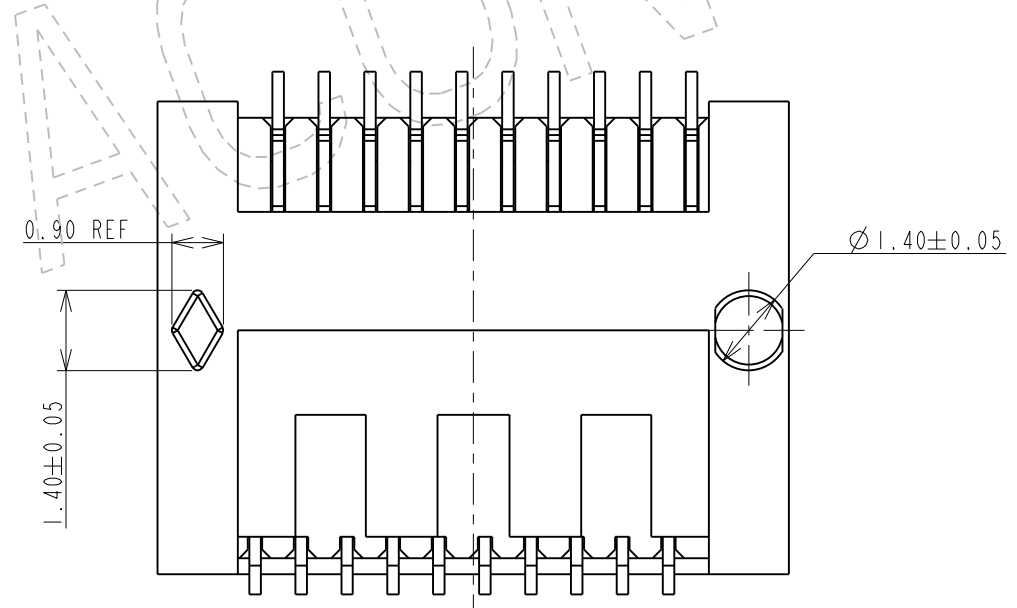
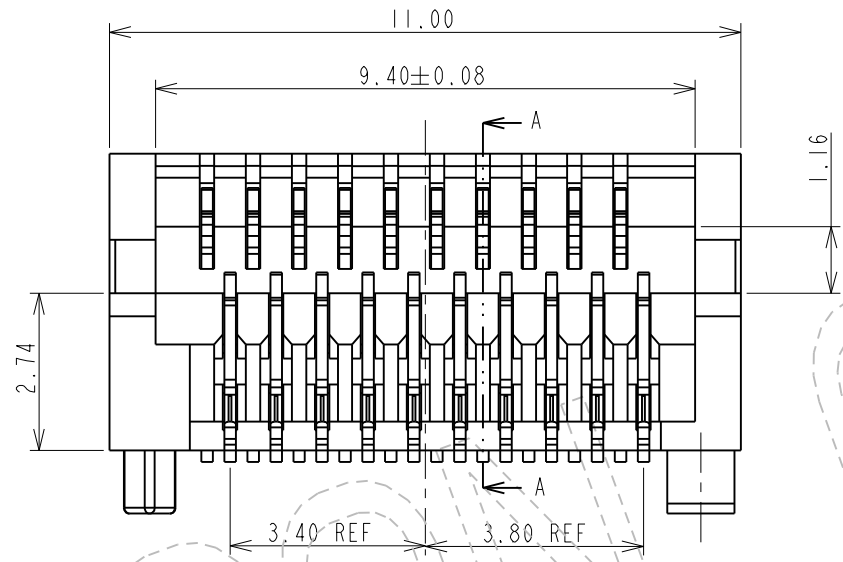
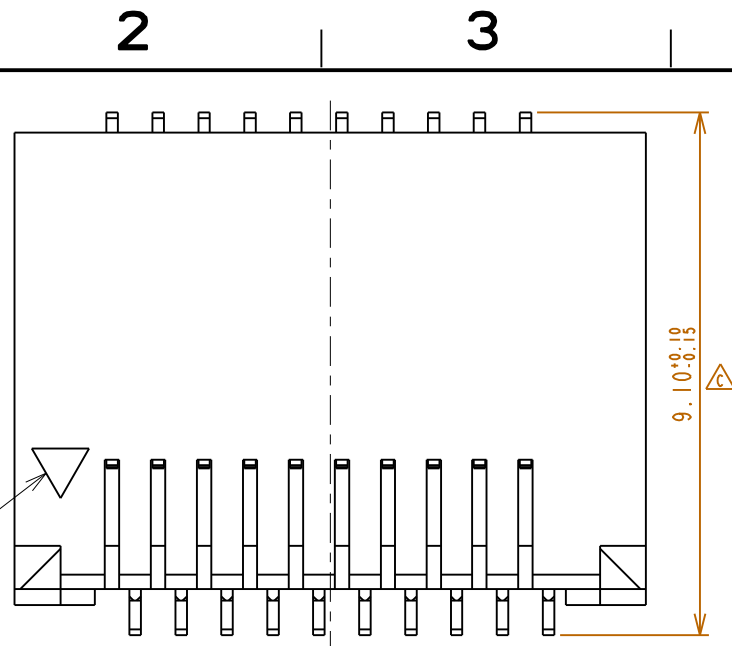
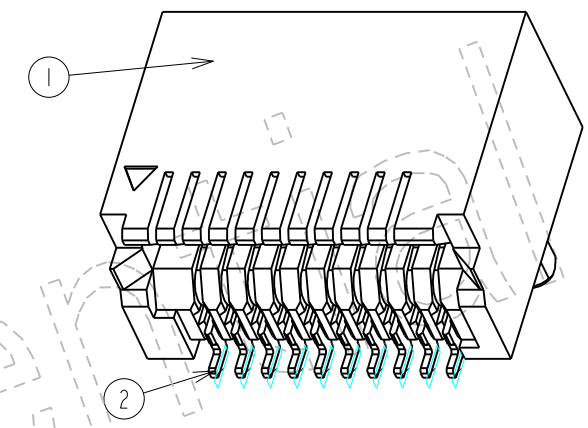


1  
**HALOGEN FREE**

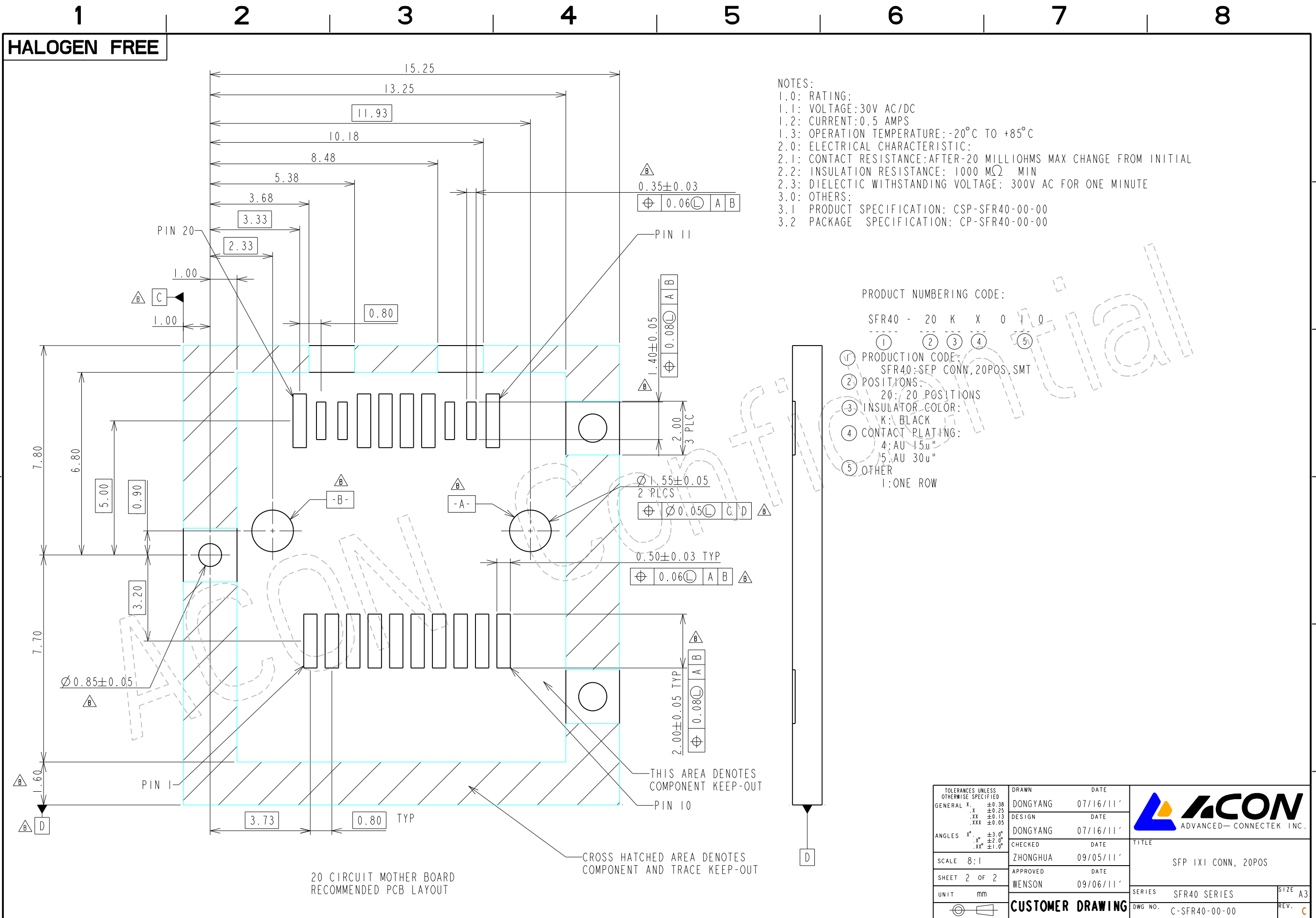


7

REV.	EC#	DESCRIPTION	DATE	DRAWN	CHECKED	APPROVED
A	SZECR11336-05	NEW RELEASE PER SZNPRI1021	11/30/12'	JINSHI	-	WENSON
B	ECR13011	△X11, AX7, MX3, DX1	10/07/13'	ALING	-	WENSON
C	SZECR14106-01	△X1, MX1	05/12/14'	WENLAN	2014.05.12 0 13:44:11 +0800	JIAN CHEN 2014.05.21 11:44:38 +0800



3	CONTACT	10	T-SFR40-10X00	COPPER ALLOY/GOLD PLATED
2	DOWN CONTACT	10	T-SFR40-20X00	COPPER ALLOY/GOLD PLATED
1	HONUSING	1	I-SFR40-120K01	HIGH-TEMP RESIN UL 94V-0
ITEM	NAME	Q'TY	PART #	MATERIAL / FINISH
TOLERANCES UNLESS OTHERWISE SPECIFIED		DRAWN DATE		
GENERAL X ±0.38		DONGYANG 07/16/11'		
.X ±0.25		DESIGN DATE		
.XX ±0.13		DONGYANG 07/16/11'		
.XXX ±0.05		CHECKED DATE		
ANGLES ° ±3.0°		ZHONGHUA 09/05/11'		
.X ±2.0°		APPROVED DATE		
.XX ±1.0°		WENSON 09/06/11'		
SCALE	8:1	TITLE		
SHEET 1 OF 2		SFP 1X1 CONN, 20POS		
UNIT	mm	SERIES		SIZE
CUSTOMER DRAWING		SFR40 SERIES		A3
		DWG NO.		REV.
		C-SFR40-00-00		C


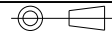


HALOGEN FREE

- NOTES:
- 1.0: RATING:
  - 1.1: VOLTAGE: 30V AC/DC
  - 1.2: CURRENT: 0.5 AMPS
  - 1.3: OPERATION TEMPERATURE: -20°C TO +85°C
  - 2.0: ELECTRICAL CHARACTERISTIC:
  - 2.1: CONTACT RESISTANCE: AFTER-20 MILLIOHMS MAX CHANGE FROM INITIAL
  - 2.2: INSULATION RESISTANCE: 1000 MΩ MIN
  - 2.3: DIELECTRIC WITHSTANDING VOLTAGE: 300V AC FOR ONE MINUTE
  - 3.0: OTHERS:
  - 3.1 PRODUCT SPECIFICATION: CSP-SFR40-00-00
  - 3.2 PACKAGE SPECIFICATION: CP-SFR40-00-00

PRODUCT NUMBERING CODE:

- SFR40 - 20 K X 0 1 0
- ① PRODUCTION CODE: SFR40-SEP CONN, 20POS, SMT
  - ② POSITIONS: 20 / 20 POSITIONS
  - ③ INSULATOR COLOR: K: BLACK
  - ④ CONTACT PLATING: 4: AU 15u" 5: AU 30u"
  - ⑤ OTHER: 1: ONE ROW

TOLERANCES UNLESS OTHERWISE SPECIFIED	DRAWN	DATE	
GENERAL X ±0.38 .X ±0.25 .XX ±0.13 .XXX ±0.05	DONGYANG	07/16/11'	
ANGLES X° ±3.0° .X° ±2.0° .XX° ±1.0°	DESIGN	DATE	TITLE
SCALE 8:1	DONGYANG	07/16/11'	SFP 1X1 CONN, 20POS
SHEET 2 OF 2	CHECKED	DATE	SERIES SFR40 SERIES SIZE A3
UNIT mm	ZHONGHUA	09/05/11'	
	APPROVED	DATE	DWG NO. C-SFR40-00-00 REV. C
	WENSON	09/06/11'	
	<b>CUSTOMER DRAWING</b>		

This document and information contained herein are the property of Advanced Connectek Inc., copies are issued in strict confidence and shall not be reproduced or copied, or used as the basic of manufacture or sale of apparatus without permission

All materials meet the ACON's spec. environment-related substances management technical standard