



| | | | | | |
|-----------------------------------------------------------------------------------------------------------------------------|---------------------------------------|-------------------------------------|------------------------------------|----------------------------------|-------------|
|  ACON ADVANCED-CONNECTEK INC. | SC Connector Specification | DOC. No. CSP-FSC**-00-00 | | Rev.: B | Page: 1 / 6 |
| | | Approved/Date WUJUN 07/07/05' | Checked/Date WUJUN 07/07/05' | Written/Date WJB 07/07/05' | |

SC Connector

| Rev. | Description | Written/Date | Checked/Date | Approved/Date |
|------|---------------------------|--------------------------|--------------------|------------------------|
| A | NEW RELEASE PER ECR-05020 | WJB 07/07/05' | WUJUN 07/07/05' | WUJUN 07/07/05' |
| B | NEW RELEASE PER ECR-110 | LIXIA..ZHAO 05/27/11' | WUJUN 05/27/11' | DINO.CHEN 05/27/11' |
| | | | | |
| | | | | |
| | | | | |
| | | | | |
| | | | | |
| | | | | |
| | | | | |
| | | | | |
| | | | | |
| | | | | |

| | | | | | |
|-----------------------------------------------------------------------------------|---------------------------------------|-----------------------------|--------------------|------------------|-----------|
|  | SC Connector Specification | DOC. No. CSP-FSC**-00-00 | | Rev.: B | Page:2 /6 |
| | | Approved/Date | Checked/Date | Written/Date | |
| | | WUJUN 07/07/05' | WUJUN 07/07/05' | WJB 07/07/05' | |

Features & Specifications

- Meets JIS C5973 F04 type and EIA/TIA 604-3A and IEC 60874-14-2 standards
- Economical in both design and termination process
- Snap-in connector design Precision mechanical dimensions
- Reduce assembly time and simplifies training
- Reduces maintenance and creates consistent optical performance
- Stable performance
 - ≤ 0.2 dB typical MM
 - ≤ 0.15 dB typical SM
- Operating temperature -20°C ~70°C
Storage temperature -40°C ~80°C

Applications

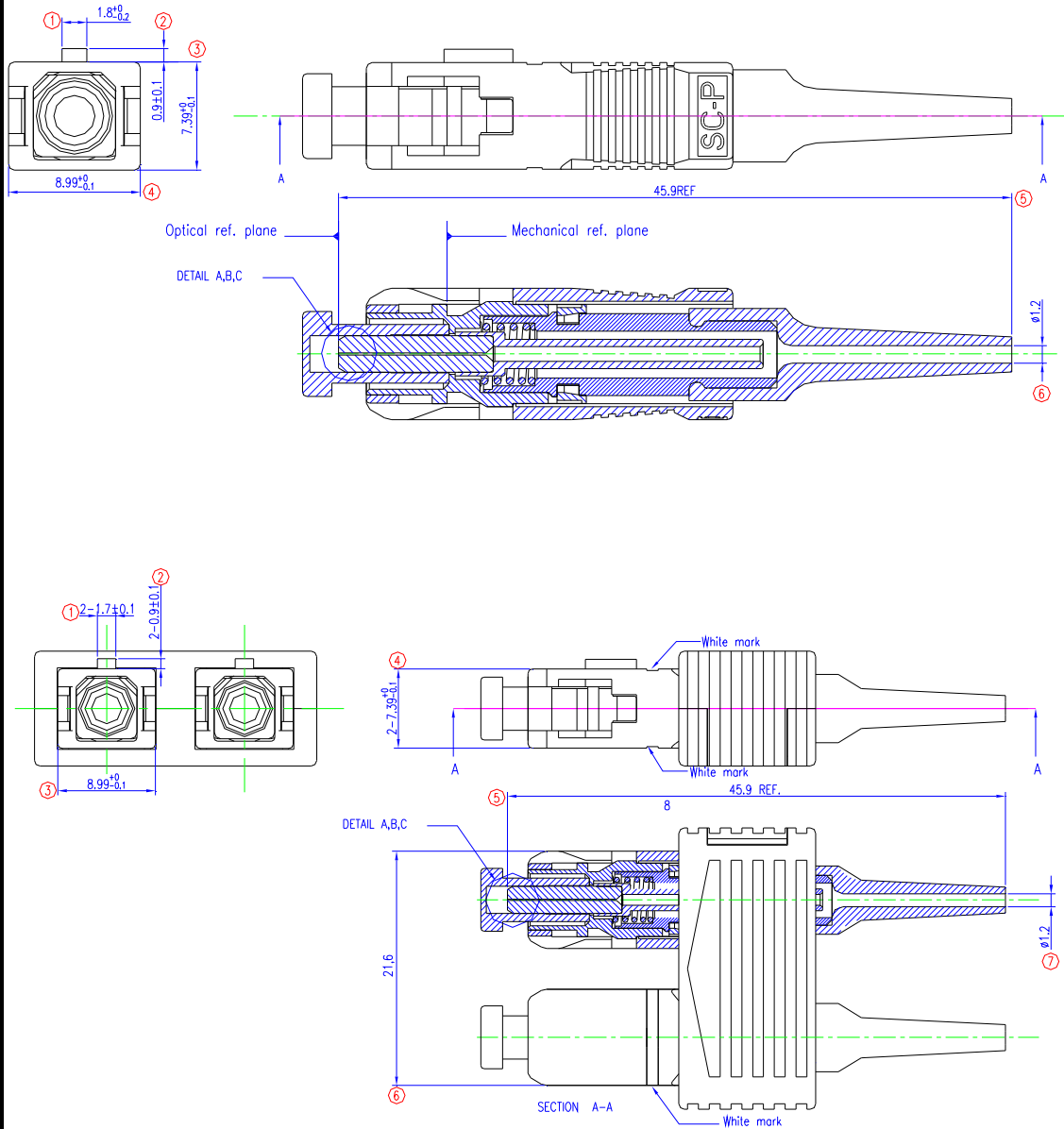
- Telecommunication networks
- Data communication networks
- CATV networks
- Active device termination
- Instrumentation

The SC connector is easily fielded mountable and is completely compatible with other SC hardware. This design, which provides non-optical disconnect terminations in a push-pull coupling mechanism, has been tested to the rigorous Bellcore-326 standards. Beige, blue and green color housing and boots for 900 micron buffered fiber, 2.0 mm jacketed cable 2.4 mm jacketed cable and 3.0 mm jacketed cables.

All versions utilize precision ceramics, and the latest engineering polymers in their construction. With their pre-assembled one-piece design and pre-polished ferrules, these connectors provide quick and economical terminations both in factory and in the field settings. The pre-polished ferrule delivers a consequently consistent optical performance.

| | | | |
|-------------------------------------|------------------------------------|----------------------------------|-----------|
| DOC. No. CSP-FSC**-00-00 | | Rev.: B | Page:3 /6 |
| Approved/Date WUJUN 07/07/05' | Checked/Date WUJUN 07/07/05' | Written/Date WJB 07/07/05' | |

SC Connector Simplex & Duplex 0.9mm boot style

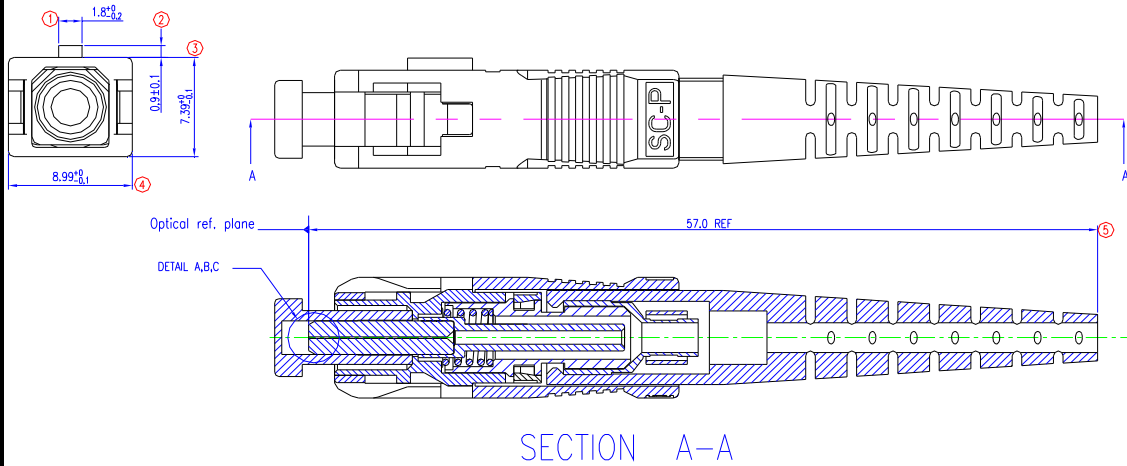




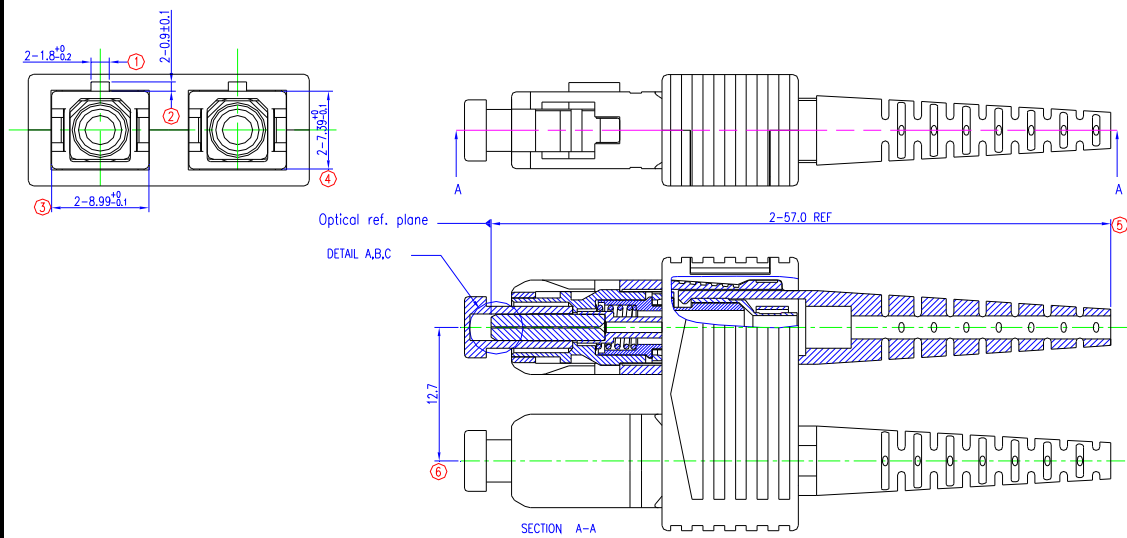
SC Connector
Specification

| | | | |
|-------------------------------------|------------------------------------|----------------------------------|-----------|
| DOC. No. CSP-FSC**-00-00 | | Rev.: B | Page:4 /6 |
| Approved/Date WUJUN 07/07/05' | Checked/Date WUJUN 07/07/05' | Written/Date WJB 07/07/05' | |


SC Connector Simplex & Duplex 2.0、3.0mm boot style



SECTION A-A



SECTION A-A

| | | | | | |
|-----------------------------------------------------------------------------------|---------------------------------------|-----------------------------|--------------------|------------------|-----------|
|  | SC Connector Specification | DOC. No. CSP-FSC**-00-00 | | Rev.: B | Page:5 /6 |
| | | Approved/Date | Checked/Date | Written/Date | |
| | | WUJUN 07/07/05' | WUJUN 07/07/05' | WJB 07/07/05' | |

Note:

Order Number:

FSC ** * * --- ** * * 00
1 2 3 4 5 6

1. Cable Size:

09: 0.9mm

20: 2.0mm

30: 3.0mm

2. Conncetor Type

S:Simplex

D:Duplex

3. Piece Type:

O: One Piece Type

M: Multi Piece Type

4. See the Table


| CODE | FERRULE PART NO. | ID | CONCENTRICITY | TYPE |
|------|------------------|-------------|---------------|--------|
| 11 | FSC001-1-1110 | 0.125~0.126 | <= 0.0005 | SM |
| 14 | FSC001-1-1140 | 0.125~0.126 | <= 0.0010 | |
| 16 | FSC001-1-1160 | 0.126~0.127 | <= 0.0010 | |
| 58 | FSC001-1-1580 | 0.125~0.126 | <= 0.0010 | SM/APC |
| 17 | FSC001-1-1170 | 0.125~0.126 | <= 0.0050 | MM |
| 18 | FSC001-1-1180 | 0.126~0.127 | <= 0.0050 | |

5. Coupling Color:

B:Blue (For S.M)

G:Green (For APC)

E:Beig(For M.M)

| | | | | | |
|-----------------------------------------------------------------------------------|---------------------------------------|-----------------------------|--------------------|------------------|-----------|
|  | SC Connector Specification | DOC. No. CSP-FSC**-00-00 | | Rev.: B | Page:6 /6 |
| | | Approved/Date | Checked/Date | Written/Date | |
| | | WUJUN 07/07/05' | WUJUN 07/07/05' | WJB 07/07/05' | |

6. Boot Color:

B:Blue (For S.M)

G:Green (For APC)

E:Beig(For M.M)

Order Information

| Order Number | Description |
|----------------|----------------------------------------------------------------------------------------------|
| FSC09S *_***00 | SC Connector, S.M. & M.M. zirconia PC/APC ferrule, One piece or Multi piece type simplex. |
| FSC09D*_****00 | SC Connector, S.M. & M.M. zirconia PC/APC ferrule, One piece or Multi piece type duplex. |
| FSC20S*_****00 | SC Connector, S.M. & M.M. zirconia PC/APC ferrule, One piece or Multi piece type simplex. |
| FSC30S*_****00 | SC Connector, S.M. & M.M. zirconia PC/APC ferrule, One piece or Multi piece type simplex. |
| FSC20D*_****00 | SC Connector, S.M. & M.M. zirconia PC/APC ferrule, One piece or Multi piece type duplex. |
| FSC30D*_****00 | SC Connector, S.M. & M.M. zirconia PC/APC ferrule, One piece or Multi piece type duplex. |